

DIN rail perforated - NS 35/ 7,5 PERF 250MM - 1207639


Please be informed that the data shown in this PDF Document is generated from our Online Catalog. Please find the complete data in the user's documentation. Our General Terms of Use for Downloads are valid (<http://phoenixcontact.com/download>)



DIN rail perforated, acc. to EN 60715, material: Steel, galvanized, passivated with a thick layer, Standard profile, color: silver



Key Commercial Data

Packing unit	1 pc
Minimum order quantity	20 pc
GTIN	 4 0 4 6 3 5 6 3 6 6 4 8 9
GTIN	4046356366489

Technical data

Dimensions

Height	7.5 mm
Length	250 mm
Width	35 mm
Hole width	15 mm
Hole height	6.2 mm
Drill hole spacing	25 mm

Standards and Regulations

Test standard	acc. to EN 60715
Connection in acc. with standard	IEC / EN

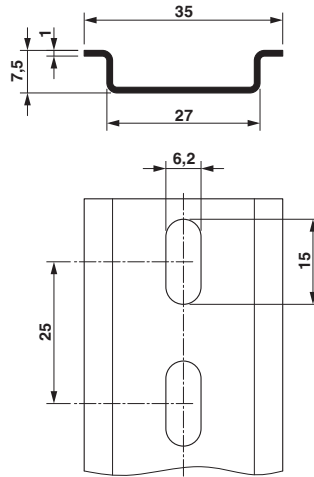
Environmental Product Compliance

China RoHS	Environmentally friendly use period: unlimited = EFUP-e
	No hazardous substances above threshold values

Drawings

DIN rail perforated - NS 35/ 7,5 PERF 250MM - 1207639

Dimensional drawing



Classifications

eCl@ss

eCl@ss 10.0.1	27400602
eCl@ss 11.0	27400602
eCl@ss 4.0	23150300
eCl@ss 4.1	23150300
eCl@ss 5.0	27141100
eCl@ss 5.1	27141100
eCl@ss 6.0	27400600
eCl@ss 7.0	27400602
eCl@ss 9.0	27400602

ETIM

ETIM 2.0	EC001285
ETIM 3.0	EC001285
ETIM 4.0	EC000212
ETIM 6.0	EC001285
ETIM 7.0	EC001285

UNSPSC

UNSPSC 6.01	30212109
UNSPSC 7.0901	39121708
UNSPSC 11	39121708
UNSPSC 12.01	39121708
UNSPSC 13.2	39121708
UNSPSC 18.0	39121708
UNSPSC 19.0	39121708
UNSPSC 20.0	39121708

DIN rail perforated - NS 35/ 7,5 PERF 250MM - 1207639

Classifications

UNSPSC

UNSPSC 21.0	39121708
-------------	----------

Phoenix Contact 2021 © - all rights reserved
<http://www.phoenixcontact.com>

PHOENIX CONTACT GmbH & Co. KG
Flachsmarktstr. 8
32825 Blomberg
Germany
Tel. +49 5235 300
Fax +49 5235 3 41200
<http://www.phoenixcontact.com>