

4

3

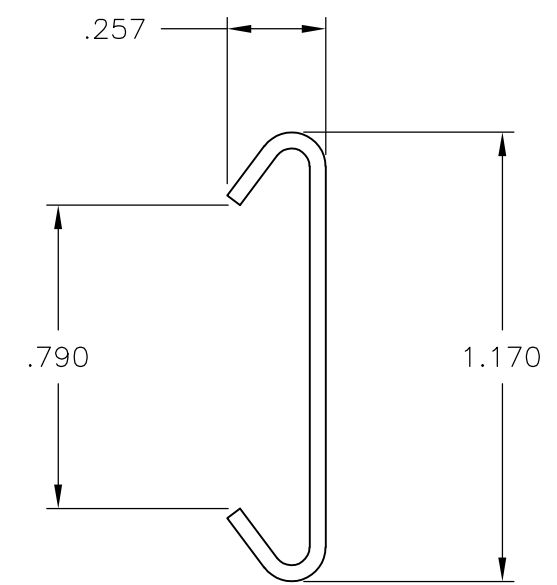
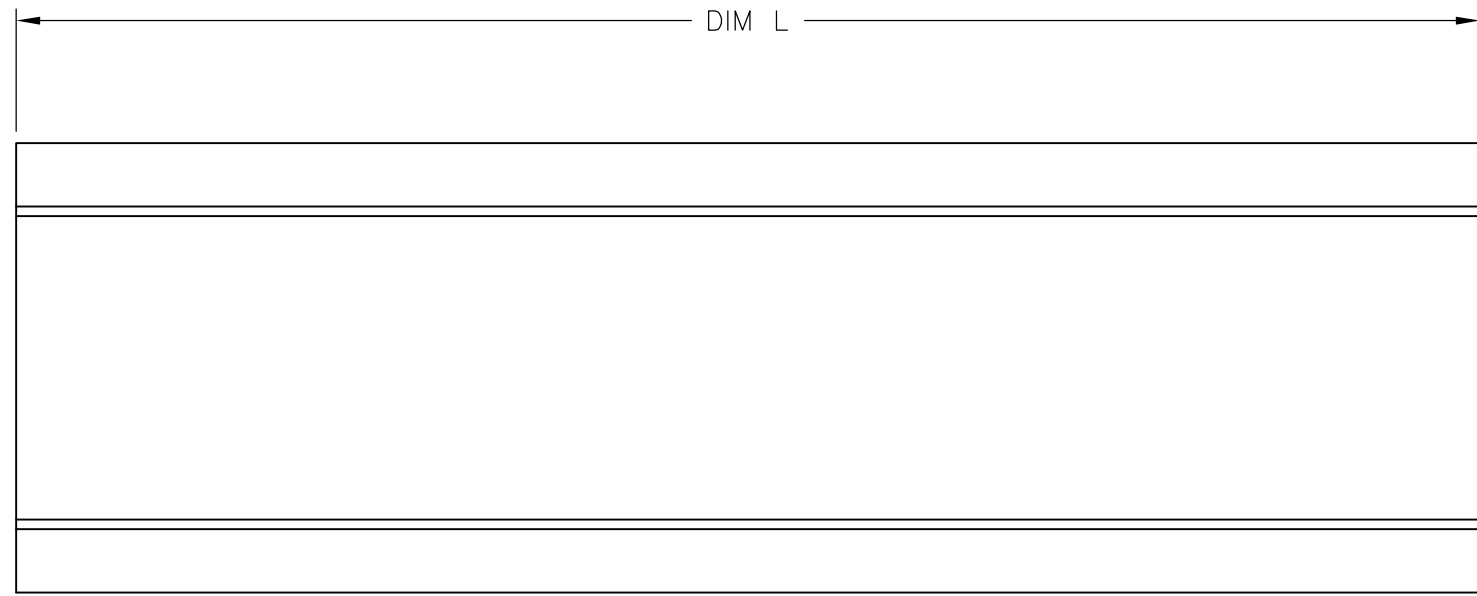
2

1

THIS DRAWING IS UNPUBLISHED. RELEASED FOR PUBLICATION
 © COPYRIGHT - By - ALL RIGHTS RESERVED.

LOC	DIST	REVISIONS			
P	LTR	DESCRIPTION	DATE	DWN	APVD
	A	REVISED PER ECO-13-017511	08NOV2013	KH	MB

- 1 MATERIAL: ZINC PLATED, STEEL.
- 2 FOR USE WITH DOVETAIL BASE TERMINAL BLOCKS.



36 ⁺⁵ / _{-.25}	STEEL CHANNEL, 3 FT	63-BU	9-1437381-8
72 ⁺⁵ / ₀	STEEL CHANNEL, 6 FT	60	9-1437381-1
DIM L	DESCRIPTION	CATALOG NUMBER	PART NUMBER

THIS DRAWING IS A CONTROLLED DOCUMENT.		DWN S SCHLEGEL 25JUN03	STE TE Connectivity			
DIMENSIONS: INCHES		CHK S YODER 6/26/03				
TOLERANCES UNLESS OTHERWISE SPECIFIED:		APVD S YODER 6/26/03	NAME CHANNEL FOR SECTIONAL BLOCKS WITH DOVETAIL			
0 PLC ± - 1 PLC ± - 2 PLC ± - 3 PLC ± - 4 PLC ± - ANGLES ± -		PRODUCT SPEC -	APPLICATION SPEC -			
MATERIAL	FINISH	WEIGHT -	SIZE A3	CAGE CODE 00779	DRAWING NO C-9-1437381-1	RESTRICTED TO -
1	1	CUSTOMER DRAWING		SCALE 2:1	SHEET 1 OF 1	REV A