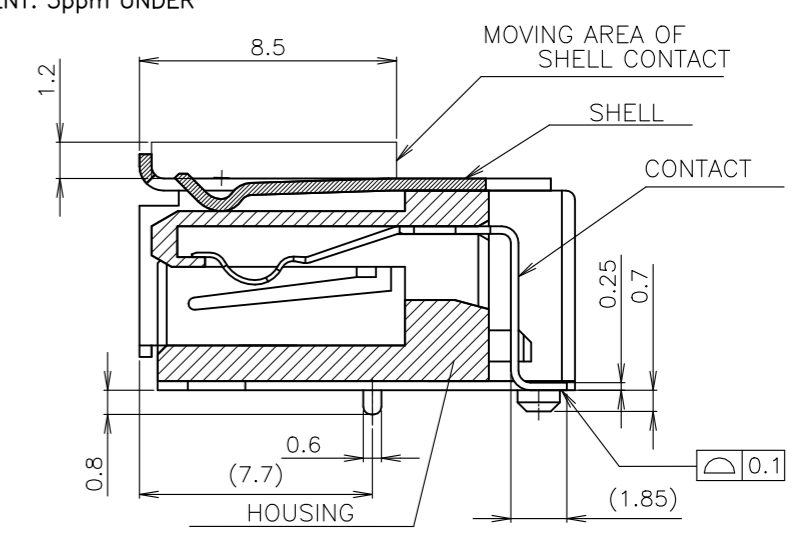
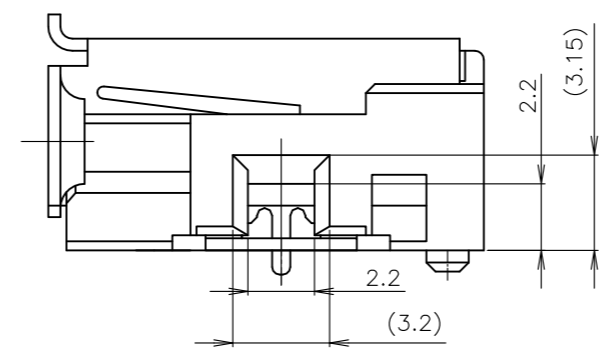
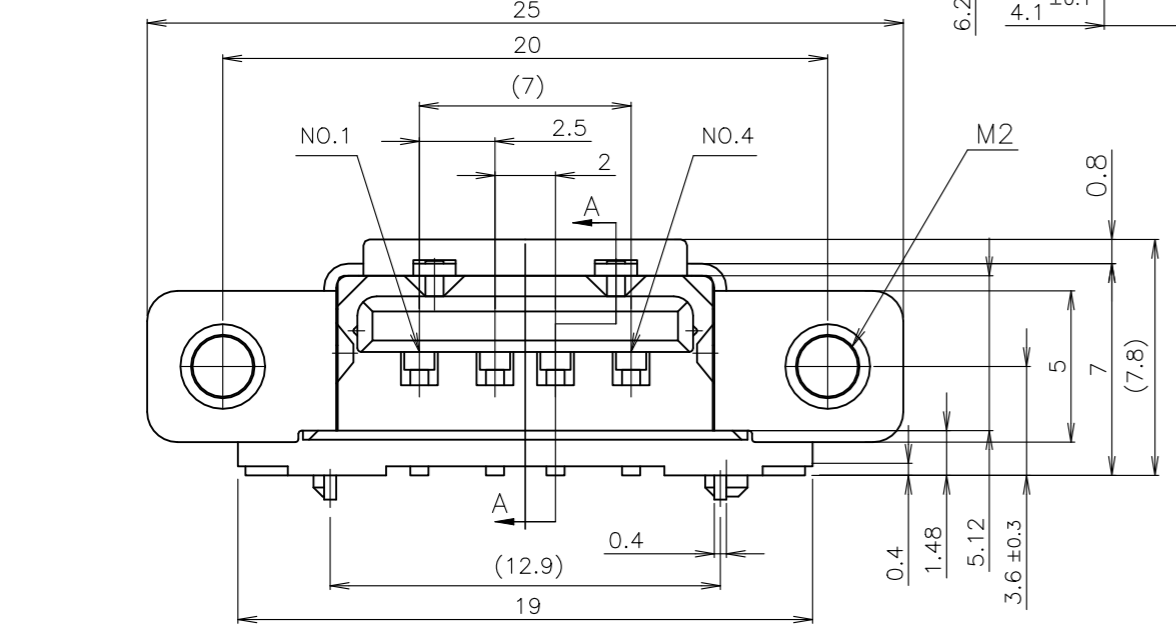
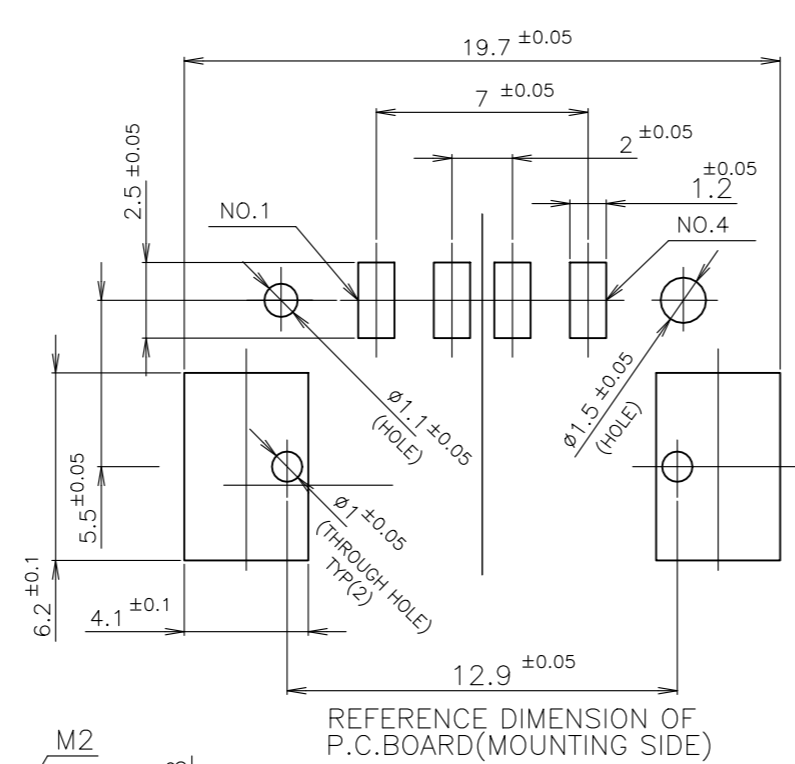
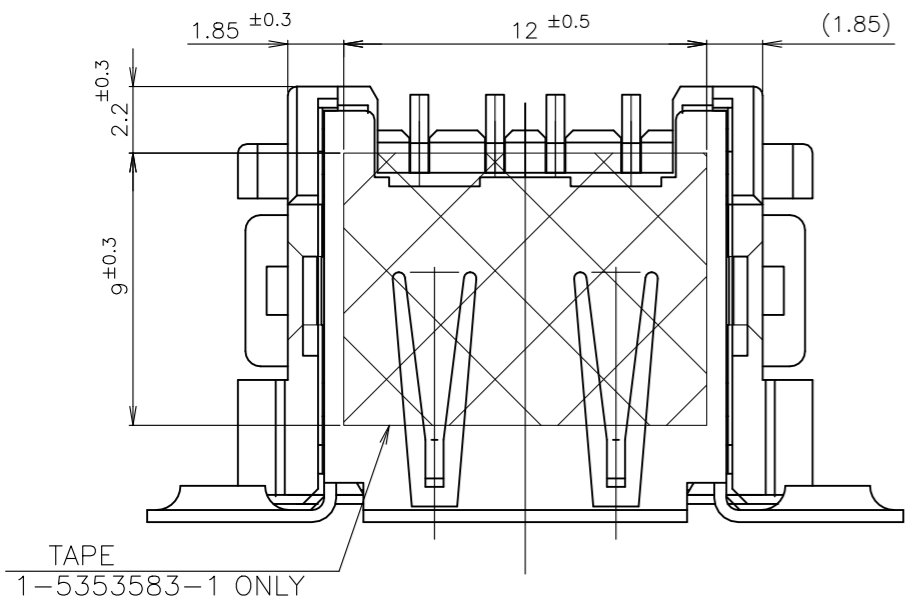
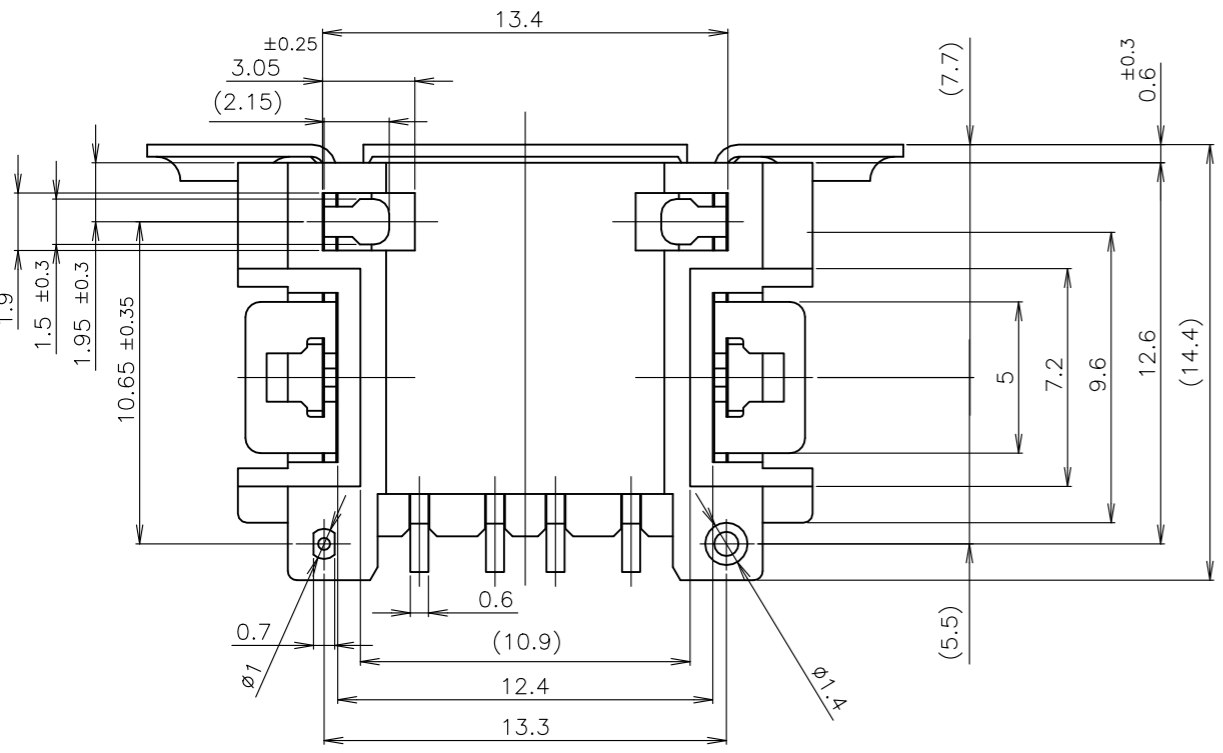


REVISIONS

P	LTR	DESCRIPTION	DATE	DWN	APVD
	A2	ECR-21-101984	22APR2021	RR	SZ



SECTION A-A  
5353583-1,2



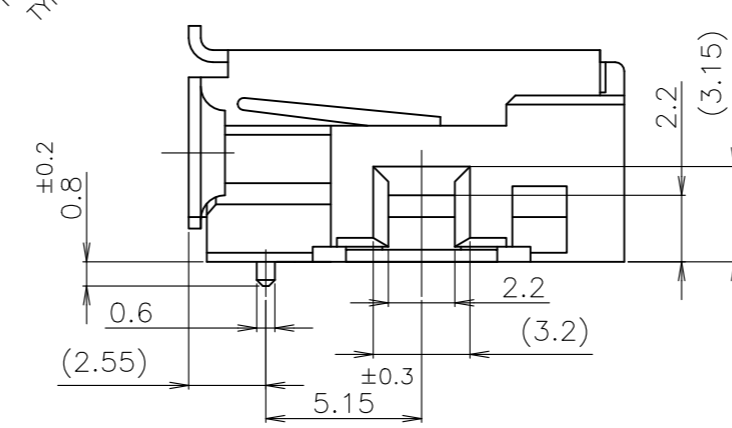
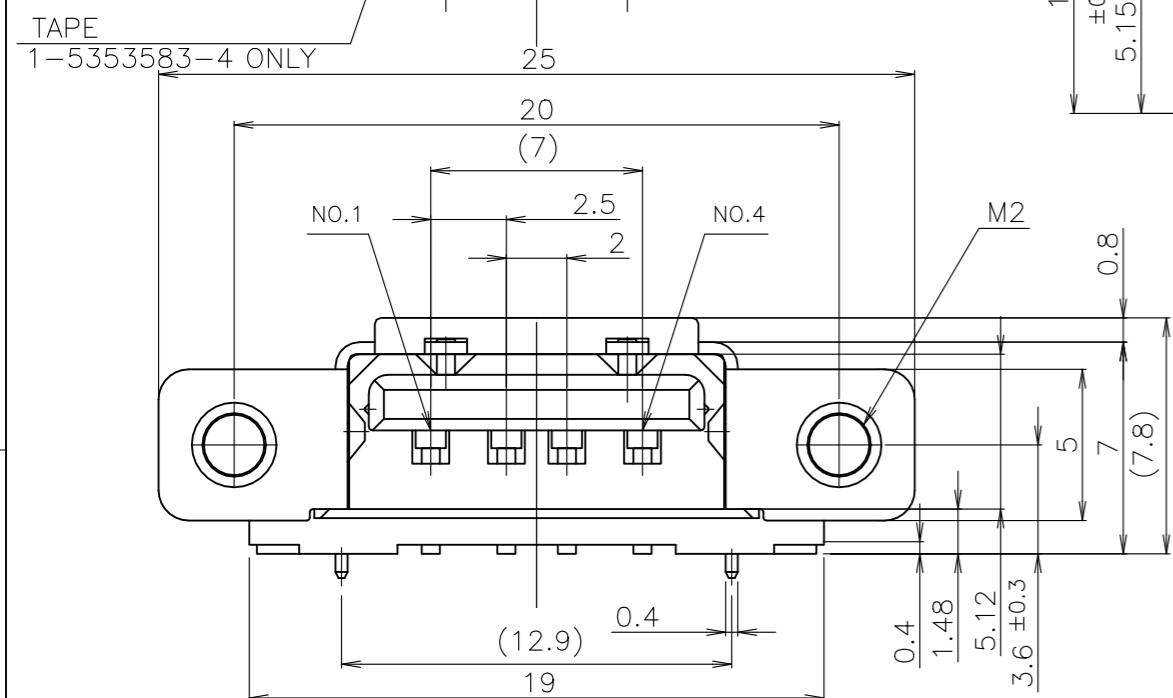
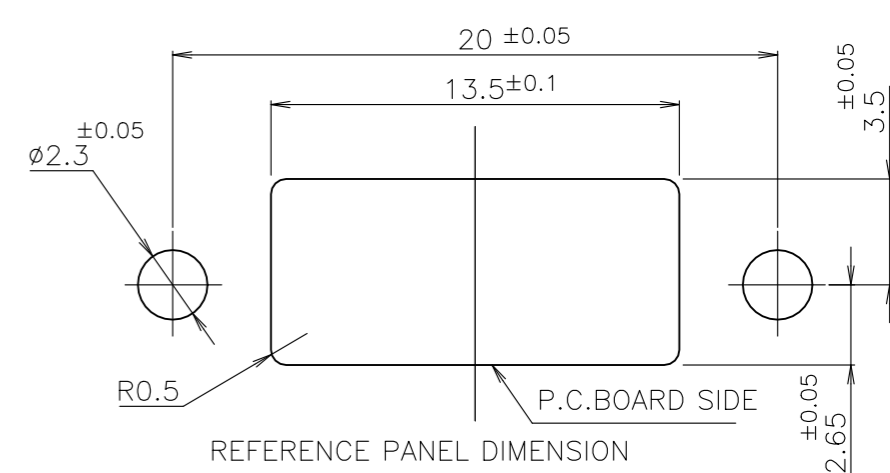
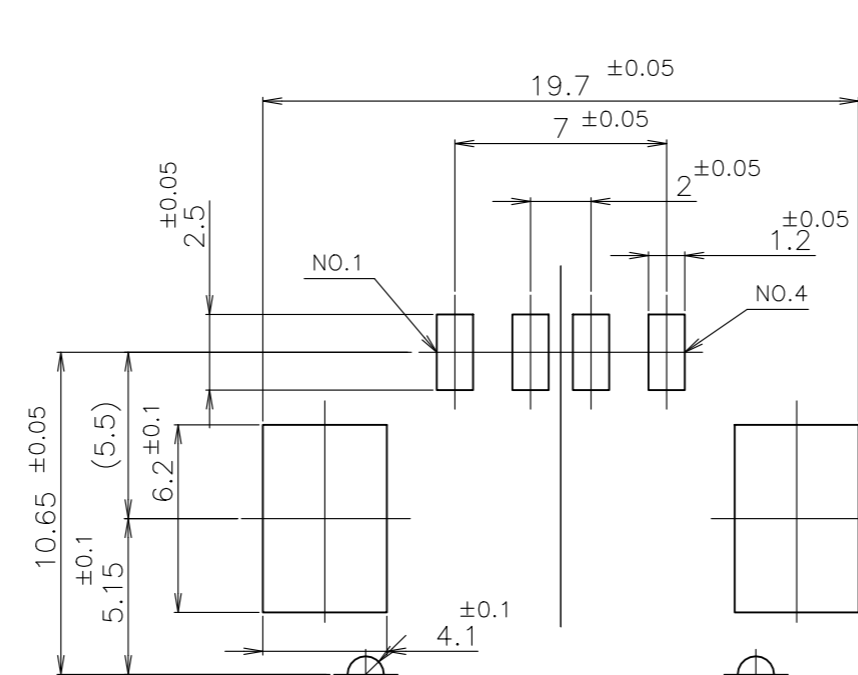
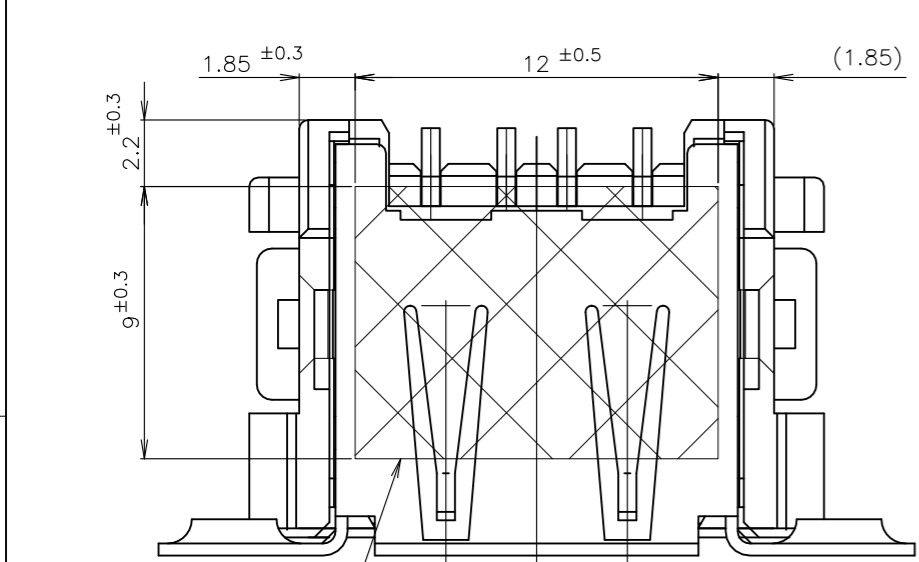
REMARKS	HOUSING COLOR	PART NO.
WITH TAPE	BLACK	1-5353583-4
WITH OUT TAPE	BLACK	5353583-4
PRELIMINARY NOT FOR PRODUCTION	WHITE	5353583-3
PRELIMINARY NOT FOR PRODUCTION	BLACK	5353583-2
WITH TAPE	WHITE	1-5353583-1
WITH OUT TAPE	WHITE	5353583-1

OBSELETE

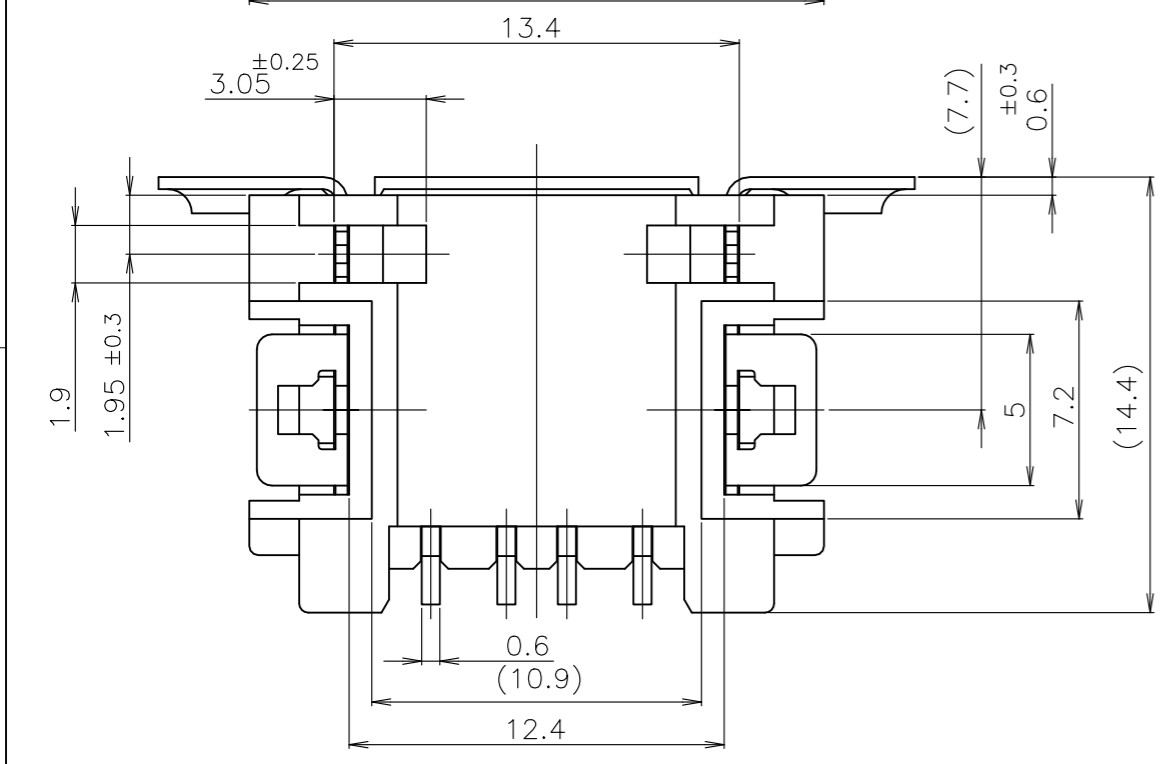
THIS DRAWING IS A CONTROLLED DOCUMENT.

DIMENSIONS: MM	TOLERANCES UNLESS OTHERWISE SPECIFIED:	DWN J.JIANG 23MAR04	TE Connectivity Ltd.
	0 PLC ±	CHK S.YAO 23MAR04	
	1 PLC ±	APVD T.SASAKI 23MAR04	
	2 PLC ±	NAME	
	3 PLC ±	PRODUCT SPEC	RECEPTACLE ASS'Y R/A SMT STANDARD TYPE USB CONNECTOR
	4 PLC ±	APPLICATION SPEC	SIZE CAGE CODE DRAWING NO RESTRICTED TO
	ANGLES ±	WEIGHT	A3 00779 C-5353583
	FINISH ±	CUSTOMER DRAWING	SCALE 4:1 SHEET 1 OF 2 REV A2

REVISIONS					
P	LTR	DESCRIPTION	DATE	DWN	APVD
-	-	SEE SHEET 1	-	-	-



- MATERIAL & FINISH**  
 CONTACT: COPPER ALLOY  
 Au PL. ON Pd-Ni PL. AT CONTACT AREA OVER Ni PL.  
 MATTE TIN PL. AT TINE AREA OVER Ni PL.  
 HOUSING: THERMO-PLASTICS, UL94V-0  
 SHELL : COPPER ALLOY, TIN PL.
- 2 GENERAL TOLERANCE**  
 10 ≥ : ± 0.2  
 30 ≥ > 10 : ± 0.25  
 100 ≥ > 30 : ± 0.3  
 ANGLES : ± 5°
- 3. MATERIAL/PARTS WHICH ARE CONTAINED THE PROHIBITION SUBSTANCE FOR ENVIRONMENTAL RELATED SUBSTANCE CONTROL STANDARD EN-022 (ENVIRONMENT RELATED SUBSTANCE) MUST NOT USE IN PRODUCT AND MANUFACTURING PROCESS**
- 4. CADMIUM CONTENT: 5ppm UNDER**



5353583-3,4

THIS DRAWING IS A CONTROLLED DOCUMENT.		DWN	TE Connectivity Ltd.		
DIMENSIONS: MM		CHK			
TOLERANCES UNLESS OTHERWISE SPECIFIED:		APVD	NAME		
0 PLC	±	PRODUCT SPEC	RECEPTACLE ASS'Y R/A SMT		
1 PLC	±	APPLICATION SPEC	STANDARD TYPE USB CONNECTOR		
2 PLC	±	SIZE	CAGE CODE	DRAWING NO	RESTRICTED TO
3 PLC	±	WEIGHT	A3	00779	C-5353583
4 PLC	±	CUSTOMER DRAWING			
ANGLES	±	SCALE	SHEET	REV	
FINISH	±	4:1	2 OF 2	A2	