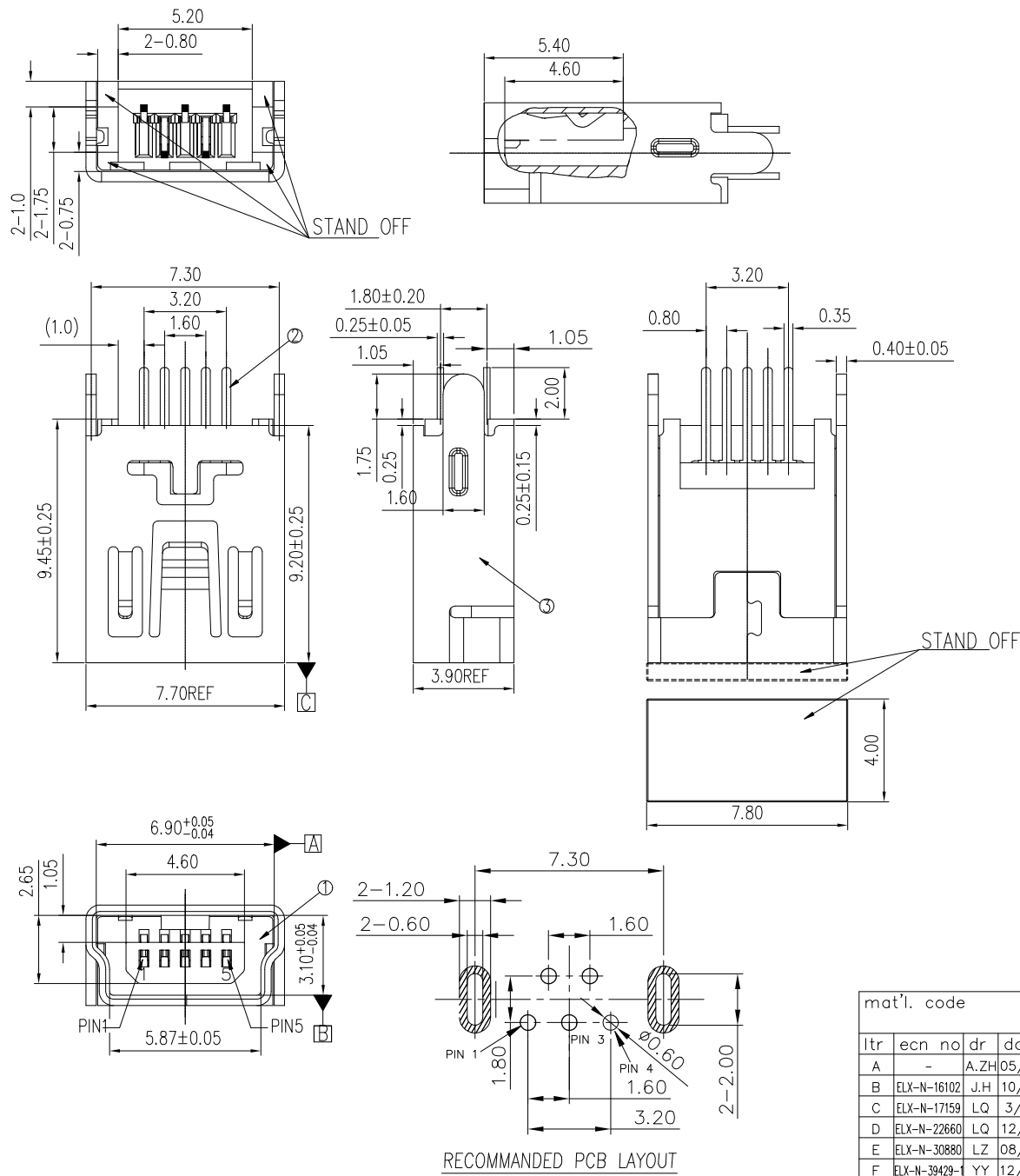


PRODUCT NO.  
10119313-\*



NOTES:

- MATERIAL:  
HOUSING: THERMOPLASTIC, UL 94V-0 RATED. COLOR IN BLACK.  
CONTACT: COPPER ALLOY  
SHELL: COPPER ALLOY.
- FINISH:  
CONTACT: UNDERPLATED 50u" MIN. NICKEL, OVER ALL;  
100u" MIN. PURE MATTE TIN PLATED IN SOLDERING AREA;  
30u" MIN. GOLD PLATING ON CONTACT AREA.  
SHIELD: NICKEL 80u" MIN. PLATED OVER ALL.
- THE HOUSING WILL WITHSTAND EXPOSURE TO 260 DEGREE C PEAK TEMPERATURE FOR 10 SECONDS IN A IR REFLOW APPLICATION. AND THIS PRODUCT MEETS EUROPEAN UNION DIRECTIVES AND OTHER COUNTRY REGULATIONS AS DESCRIBED IN GS-22-008.
- PRODUCT SPECIFICATION: GS-12-174; PACKAGING SPECIFICATION: GS-14-873.
- PRODUCT ORDERING DATA :

FOR LEAD-FREE

10119313 - X X X X LF

- LF: LEAD FREE PLATING
- SHELL MATERIAL:  
BLANK: BRASS  
1: PHOSPHOR BRONZE
- PACKAGING METHOD:  
T: TRAY PACKAGING STYLE.  
R: TAPE AND REEL PACKAGING STYLE.  
C: TAPE AND REEL WITH CAP
- SHELL PEG OPTION:  
1: DIP TYPE, SEE PAGE 1  
2: SMT TYPE, SEE PAGE 2
- HSG MATERIAL:  
0: LCP
- PLATING IN CONTACT AREA:  
3: 30u" MIN. Au.

3	SHELL	1	COPPER ALLOY	SEE NOTE 2
2	TERMINAL	5	COPPER ALLOY	SEE NOTE 2
1	HOUSING	1	THERMOPLASTIC	COLOR: BLACK
ITEM	NAMES	QT'Y	MATERIAL	FINISH

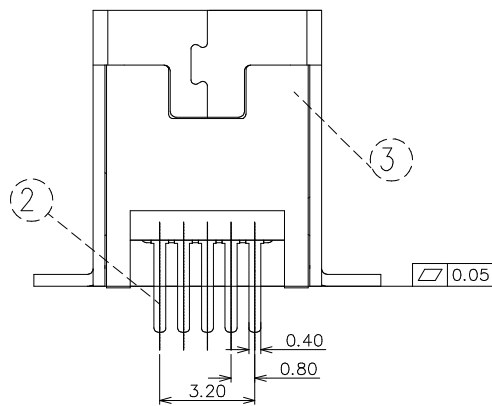
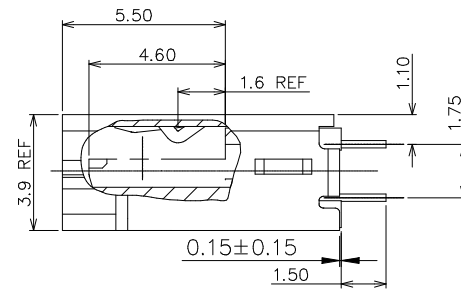
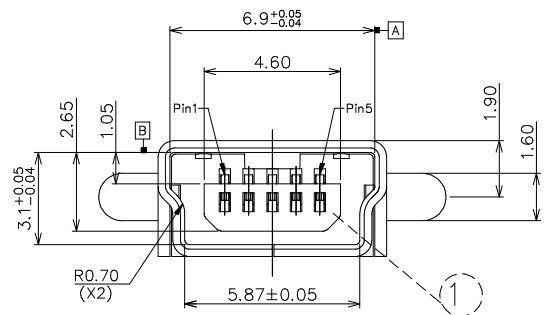
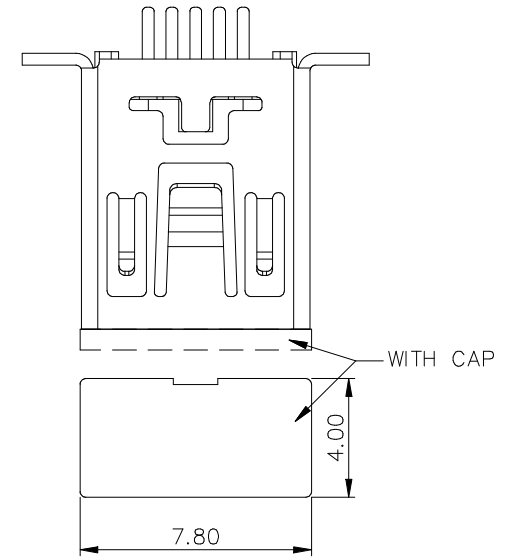
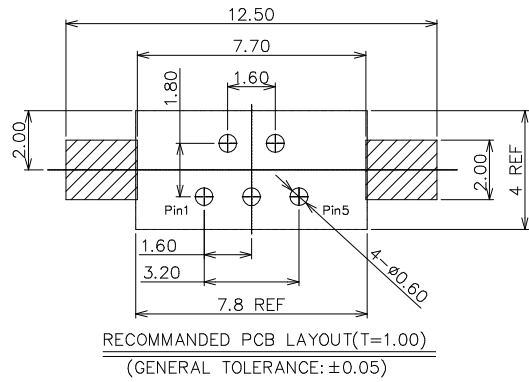
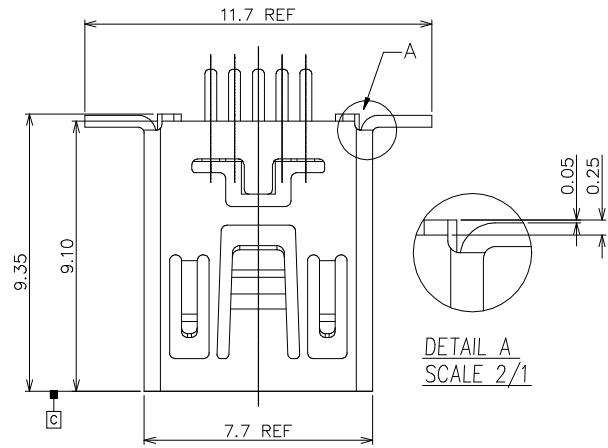
mat'l. code		surface ISO 1302	tolerance ISO 406	projection ISO 1101	product family		
ltr ecn no dr date		tolerances unless otherwise specified	angles linear	mm	HPL 511		
A	-	A.ZH	05/03/12	X.X ± 0.30	title MINI USB 5PF VERTICAL TYPE MINI USB B RECEPTACLE		
B	ELX-N-16102	J.H	10/21/13.	X.XX ± 0.20			
C	ELX-N-17159	LQ	3/10/14	0±2'		X.XXX ± 0.10	
D	ELX-N-22660	LQ	12/01/15	dr		Yuan-Yuan Bao	2020/12/23
E	ELX-N-30880	LZ	08/02/18	eng		Yuan-Yuan Bao	2020/12/23
F	ELX-N-39429-1	YY	12/23/20	chr	LQ Lei	2020/12/23	
		appd	Tim Yao	2020/12/23	scale 1:1		
sheet index	revision sheet	F	1/2	dwg no sheet 1 of 2 size			
				type Product Customer Drawing			

Amphenol FCI

© 2016 AFCI



PRODUCT NO.  
10119313-\*



PLEASE SEE PAGE ONE FOR THE NOTES

mat'l. code		surface E4	tolerance	projection	product family
ISO 1302		ISO 406	ISO 1101	HPL 511	
ltr	ecn no	dr	date	tolerances unless otherwise specified	title
F				linear	MINI USB 5PF VERTICAL TYPE
				angles	MINI USB B RECEPTACLE
				0°±2'	scale 1:1
		dr	Y-Y Bao	2020/12/23	Amphenol FCI
		engr	Y-Y Bao	2020/12/23	dwg no
		chr	LQ Lei	2020/12/23	sheet 2 of 2
		appd	Tim Yao	2020/12/23	size
sheet index	revision	F			10119313
	sheet	2/2			A3
					type Product Customer Drawing