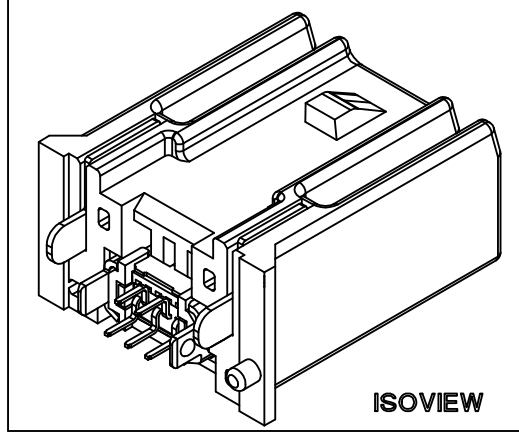
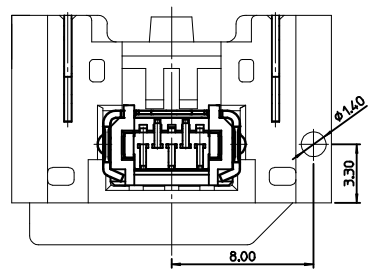
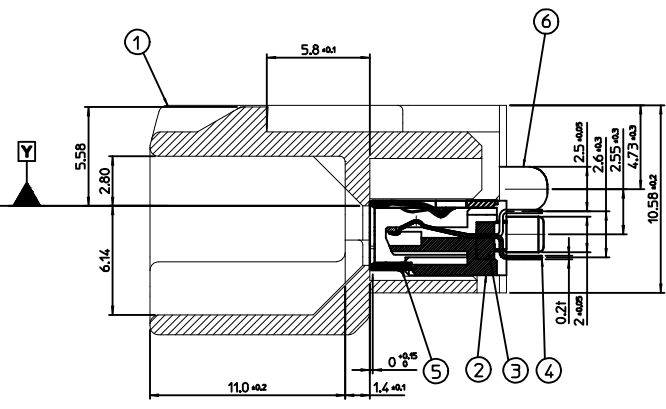
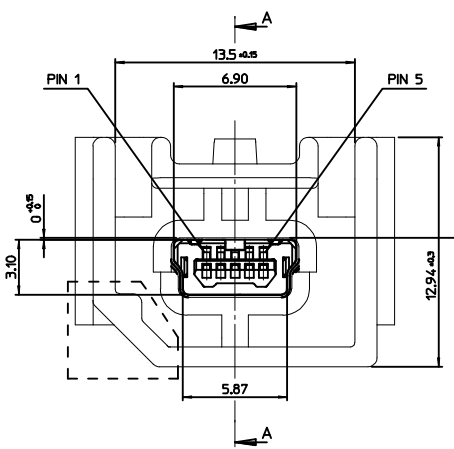


**RECOMMENDED PCB LAYOUT**



- NOTE**
- MATES WITH :  
(MOLEX SERIES NO. - 111014, 111015, 111005, 111041, 111019, 111020)
  - SHROUD GEOMETRY AND ASSEMBLY WITH USB MINI-B CONNECTOR ARE ACCORDING TO USCAR STD 999-U-USB-Z01
  - FINISHES  
- TERMINAL :  
CONTACT AREA : Au 0.75µm MIN.  
SOLDER TAIL AREA : TIN 3.8µm MIN.  
UNDER PLATING : NI 1.0µm MIN.  
- SHIELD CASE :  
3.0µm MIN. TIN OVER NI 1.0µm MIN.  
- FITTING NAIL :  
3.0µm MIN. TIN OVER NI 1.0µm MIN.
  - UNLESS OTHERWISE SPECIFIED, TYPICAL RECOMMENDED PCB MANUFACTURING TOLERANCE IS ±0.05
  - PACKAGING IS TRAY :  
(48 PCS/TRAY, 5 TRAY/TRAY BOX, 240 PCS/TRAY BOX, 960 PCS/CARTON BOX)
  - PACKAGING IS TUBE :  
(29 PCS/TUBE, 60 TUBE/BOX, 1740 PCS/CARTON BOX)
  - PACKING IS EMBOSS:  
\*SEE SHEET 2 OF 2 OF THIS PRINT.\*
  - PRODUCT SPECIFICATION : PS-49616-001
  - PCB THICKNESS : 1.6mm(REFERENCE)

<TABLE 1>

MATERIAL NO.	ORDER NO.	COLOR	PACKING	PACKING INFO.
1040040501	104004-0501	BLACK	TRAY	PK-104004-001
1040040701	104004-0701	BLACK	TUBE	PK-104004-002
1040040503	104004-0503	BLACK	EMBOSS	PK-104004-005

<PARTS LIST>

NO.	PART NAME	MATERIAL
1	SHROUD-A	LCP, GLASS FILLED, UL94 V-0
2	RECEPTACLE HOUSING	LCP, GLASS FILLED, UL94 V-0
3	CONTACT HOUSING	LCP, GLASS FILLED, UL94 V-0
4	CONTACT TERMINAL	COPPER ALLOY
5	SHIELD CASE	PHOSPHOR BRONZE
6	BOARD LOCKS PIN	BRASS

REVISED  
EC NO: KTR2015-0098  
DRAWN: IBAEK 2015/04/27  
CHKD: JYCHOI  
APPR: JYCHOI 2015/05/04  
REV DESCRIPTION

QUALITY SYMBOLS  
▽=0  
▽=0

GENERAL TOLERANCES (UNLESS SPECIFIED)  
mm INCH  
4 PLACES ± --- ± ---  
3 PLACES ± --- ± ---  
2 PLACES ± 0.15 ± ---  
1 PLACE ± 0.25 ± ---  
ANGULAR ± 1°

DRAFT WHERE APPLICABLE  
MUST REMAIN  
WITHIN DIMENSIONS

DIMENSION STYLE  
MM ONLY

SCALE  
5:1

DESIGN UNITS  
METRIC

THIRD ANGLE PROJECTION

TITLE  
USCAR USB MINI B CONN  
VERTICAL A

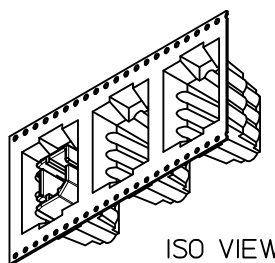
MOLEX MOLEX INCORPORATED

DOCUMENT NO.  
SD-104004-001

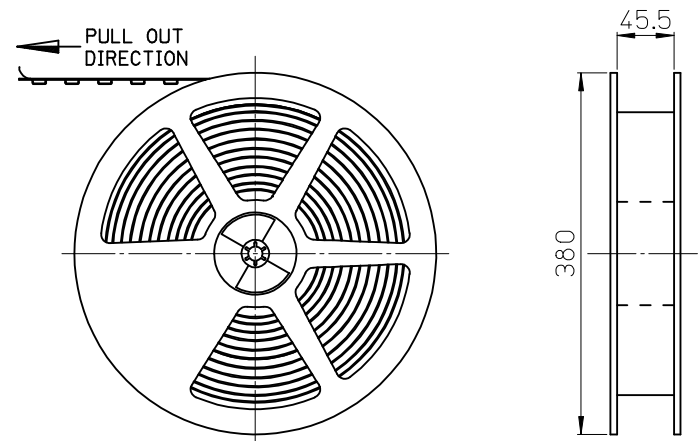
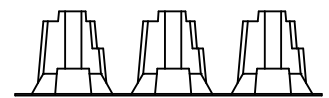
SHEET NO.  
1 OF 2

SIZE  
A2 THIS DRAWING CONTAINS INFORMATION THAT IS PROPRIETARY TO MOLEX INCORPORATED AND SHOULD NOT BE USED WITHOUT WRITTEN PERMISSION

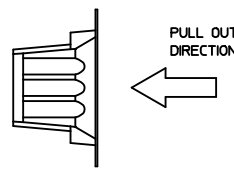
7 6 5 4 3 2 1



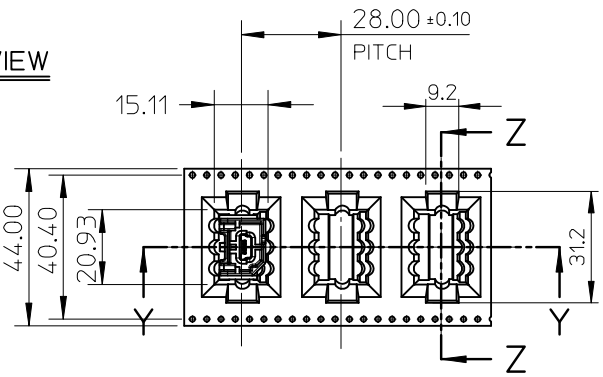
ISO VIEW



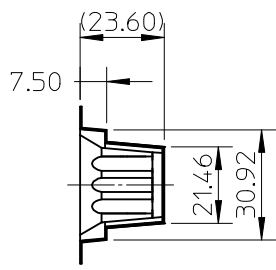
PLASTIC BOBBIN



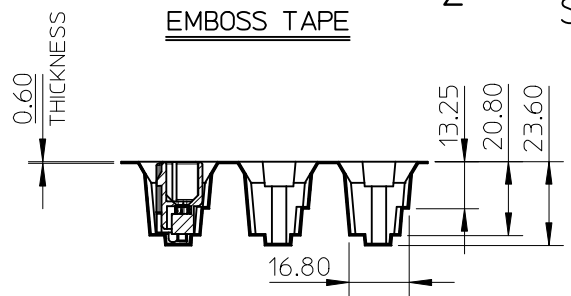
PULL OUT DIRECTION



EMBOSS TAPE



SECTION Z-Z



SECTION Y-Y

NOTES

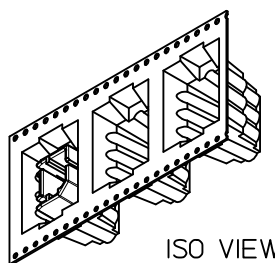
- QUANTITY OF CONNECTORS: 120EA/REEL
- MATERIAL
  - PLASTIC BOBBIN : PS
  - CARRIER TAPE : P.E.T ANTI-STATIC
- LEAD LENGTH
- PEELING OFF FORCE OF COVER TAPE : 0.1N~0.59N(10.2GF~60GF)  
 (PEELING DIRECTION AS SHOW IN FOLLOW FIG.)  
 PEELING OFF SPEED : 300mm/Min.(Ref.)

5. FLASH IN ANY PORTION SHOULD BE LESS THAN 0.20mm MAX.

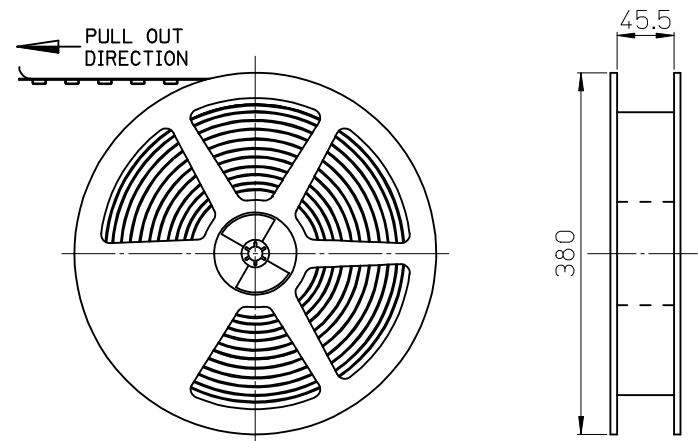
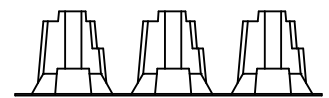
ADDED OPTION EC NO: KTR2015-0121 DRWN: JMK IM02 2015/06/19 CHKD: APPR: JYCHO1 2015/06/22	DESCRIPTION REV	QUALITY SYMBOLS	GENERAL TOLERANCES (UNLESS SPECIFIED)		DIMENSION STYLE	SCALE	DESIGN UNITS	THIRD ANGLE PROJECTION	
			mm	INCH	MM ONLY	1:2	METRIC		
		$\nabla_F = 0$	4 PLACES	± ---	± ---	DRAWN BY	DATE	TITLE USCAR USB MINI B CONN VERTICAL A	
		$\nabla_F = 0$	3 PLACES	± ---	± ---	CHECKED BY	DATE		
		$\nabla_F = 0$	2 PLACES	± 0.15	± ---	BCYOON	2015/06/19	<b>molex</b>	
	1 PLACE	± 0.25	± ---	APPROVED BY	DATE				
	0 PLACE	± ---	± ---	JYCHO1	2015/04/27	MATERIAL NO.	DOCUMENT NO.	SHEET NO.	
ANGULAR ± 1 °			DRAFT WHERE APPLICABLE MUST REMAIN WITHIN DIMENSIONS		SEE TABLE		SD-104004-001	2 OF 2	
THIS DRAWING CONTAINS INFORMATION THAT IS PROPRIETARY TO MOLEX INCORPORATED AND SHOULD NOT BE USED WITHOUT WRITTEN PERMISSION									

6 5 4 3 2 1

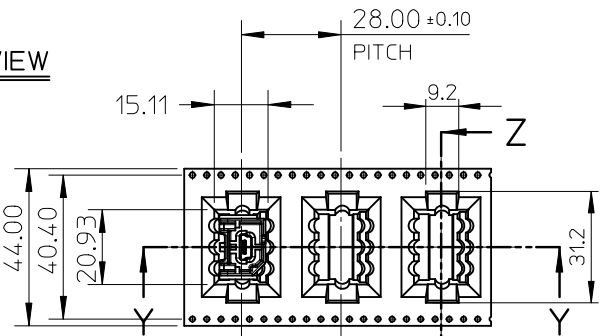
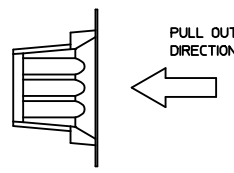
7 6 5 4 3 2 1



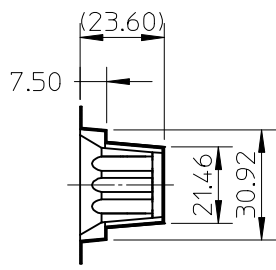
ISO VIEW



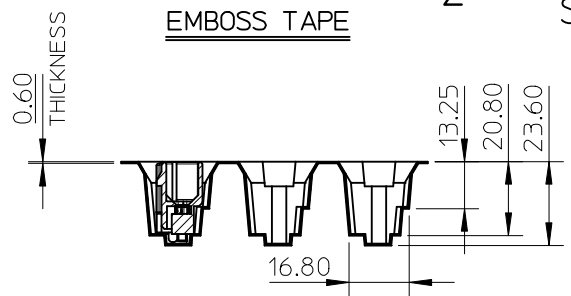
PLASTIC BOBBIN



EMBOSS TAPE



SECTION Z-Z



SECTION Y-Y

NOTES

- QUANTITY OF CONNECTORS: 120EA/REEL
- MATERIAL
  - PLASTIC BOBBIN : PS
  - CARRIER TAPE : P.E.T ANTI-STATIC
- LEAD LENGTH
- PEELING OFF FORCE OF COVER TAPE : 0.1N~0.59N(10.2GF~60GF)  
 (PEELING DIRECTION AS SHOW IN FOLLOW FIG.)  
 PEELING OFF SPEED : 300mm/Min.(Ref.)

5. FLASH IN ANY PORTION SHOULD BE LESS THAN 0.20mm MAX.

ADDED OPTION EC NO: KTR2015-0121 DRWN: JMK/IM02 2015/06/19 CHKD: APPR: JYCHO1 2015/06/22	DESCRIPTION REV	QUALITY SYMBOLS	GENERAL TOLERANCES (UNLESS SPECIFIED)		DIMENSION STYLE MM ONLY		SCALE 1:2	DESIGN UNITS METRIC	THIRD ANGLE PROJECTION		
		$\nabla_F = 0$ $\nabla_F = 0$ $\nabla_F = 0$	mm      INCH 4 PLACES ± --- ± --- 3 PLACES ± --- ± --- 2 PLACES ± 0.15 ± --- 1 PLACE ± 0.25 ± --- 0 PLACE ± --- ± ---	DRAWN BY YIBAOK DATE 2015/04/18	TITLE USCAR USB MINI B CONN VERTICAL A						
		ANGULAR ± 1 ° DRAFT WHERE APPLICABLE MUST REMAIN WITHIN DIMENSIONS	MATERIAL NO. SEE TABLE	DOCUMENT NO. SD-104004-001	SHEET NO. 2 OF 2						
		SIZE A4					THIS DRAWING CONTAINS INFORMATION THAT IS PROPRIETARY TO MOLEX INCORPORATED AND SHOULD NOT BE USED WITHOUT WRITTEN PERMISSION				
		A4	REV								

6 5 4 3 2 1