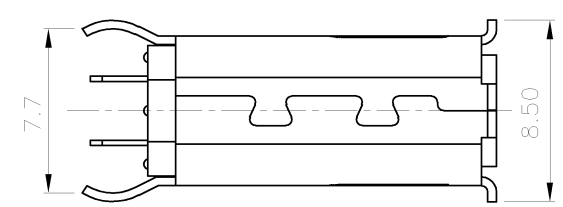
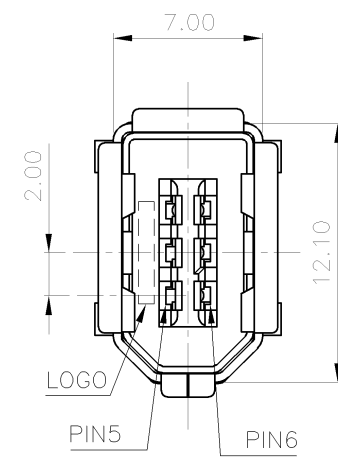
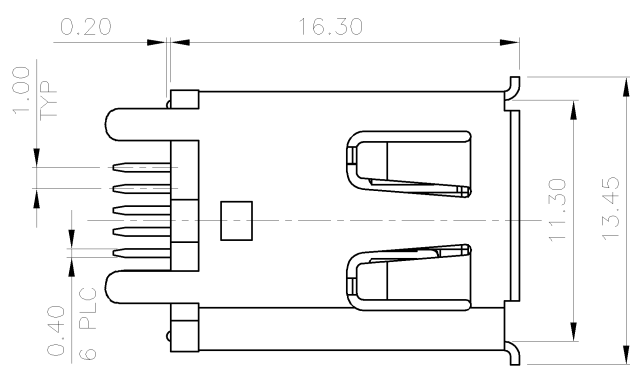
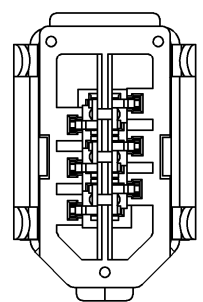
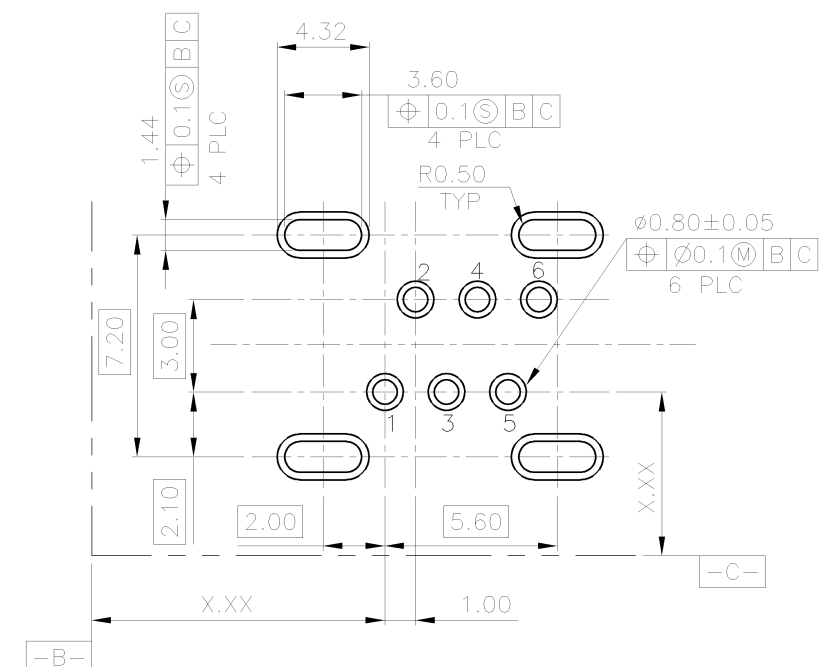
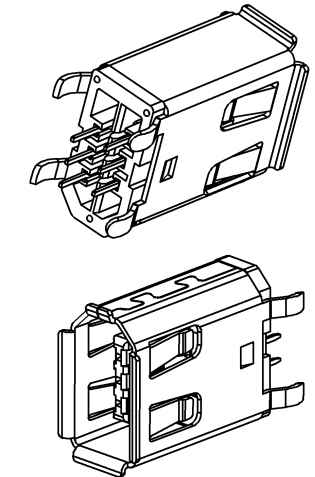
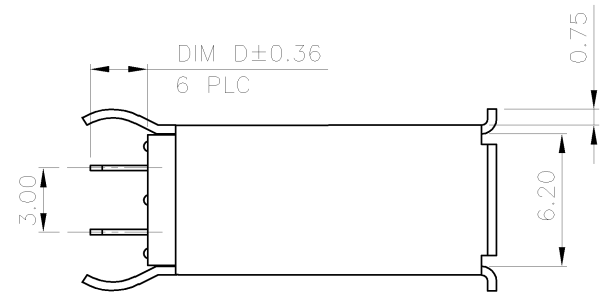


THIS DRAWING IS UNPUBLISHED. RELEASED FOR PUBLICATION  
 © COPYRIGHT 2011 BY TYCO ELECTRONICS CORPORATION. ALL RIGHTS RESERVED.

|     |      |           |     |                         |         |     |      |
|-----|------|-----------|-----|-------------------------|---------|-----|------|
| LOC | DIST | REVISIONS |     |                         |         |     |      |
| DW  |      | P         | LTR | DESCRIPTION             | DATE    | DWN | APVD |
|     |      | C         |     | REVISED (ECR-13-012457) | 14AUG13 | JL  | WK   |



RECOMMENDED PCB LAYOUT

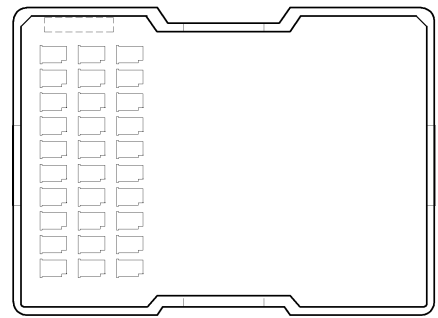
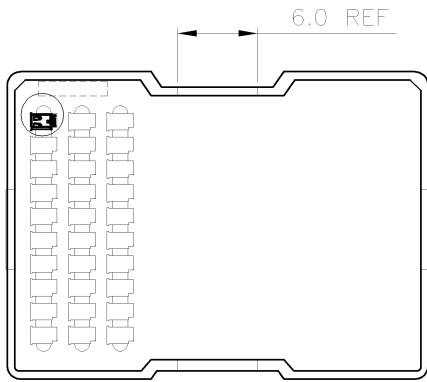
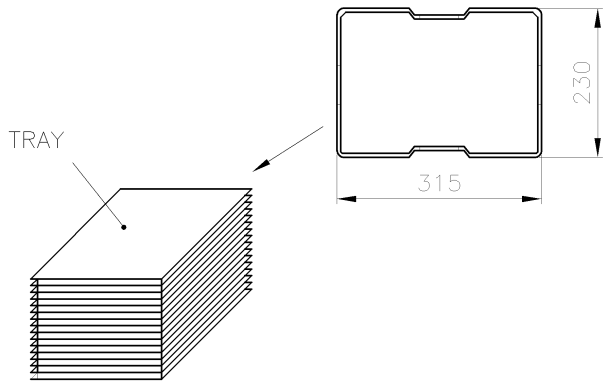
- NOTE:
- MATERIAL:  
 HOUSING: THERMOPLASTIC HIGH TEMP., UL 94V-0, BLACK COLOR.  
 CONTACT: BRASS, THICKNESS=0.25mm.  
 SHELL: PHOSPHOR BRONZE, THICKNESS=0.40mm
  - FINISH:  
 CONTACT: 0.762µm [30µ"] MIN. GOLD PLATED ON CONTACT AREA,  
 2.54µm [100µ"] MIN. TIN-Cu PLATED ON SOLDER TAILS,  
 1.27µm [50µ"] MIN. NICKEL UNDERPLATED ALL OVER.  
 SHELL: 3.048µm [120µ"] MIN. NICKEL PLATED ALL OVER  
 2.54µm [100µ"] MIN. Cu UNDERPLATED ALL OVER
  - REFLOW SOLDER CAPABLE TO 260°C PER TEST SPEC.  
 109-201, CONDITION B.

|       |             |
|-------|-------------|
| 3.18  | 1734290-2   |
| 2.69  | 1734290-1   |
| DIM D | PART NUMBER |

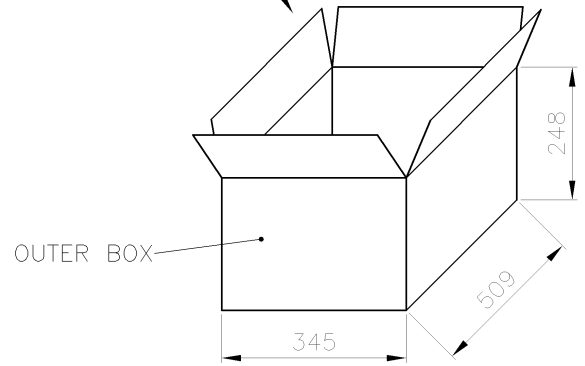
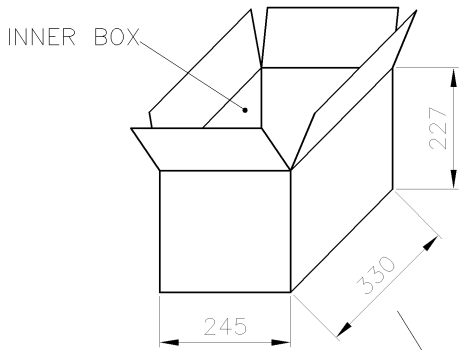
|   |          |        |            |                  |                        |           |            |               |       |        |       |   |        |      |      |                                   |
|---|----------|--------|------------|------------------|------------------------|-----------|------------|---------------|-------|--------|-------|---|--------|------|------|-----------------------------------|
| THIS DRAWING IS A CONTROLLED DOCUMENT.  |          | DWN    | O. HU      | 23DEC2005        | <b>TE Connectivity</b> |           |            |               |       |        |       |   |        |      |      |                                   |
| DIMENSIONS: mm  |          | CHK    | S. HOU     | 23DEC2005        |                        |           |            |               |       |        |       |   |        |      |      |                                   |
| TOLERANCES UNLESS OTHERWISE SPECIFIED:  |          | APVD   | W.J. KE    | 23DEC2005        |                        |           |            |               |       |        |       |   |        |      |      |                                   |
| <table border="1"> <tr><td>0 PLC</td><td>± 0.38</td></tr> <tr><td>1 PLC</td><td>± 0.25</td></tr> <tr><td>2 PLC</td><td>± 0.13</td></tr> <tr><td>3 PLC</td><td>± 0.05</td></tr> <tr><td>4 PLC</td><td>±</td></tr> <tr><td>ANGLES</td><td>± 3'</td></tr> </table> |          | 0 PLC  | ± 0.38     | 1 PLC            |                        | ± 0.25    | 2 PLC      | ± 0.13        | 3 PLC | ± 0.05 | 4 PLC | ± | ANGLES | ± 3' | NAME | IEEE 1394, RCPT, 6P VERTICAL, T/H |
| 0 PLC   | ± 0.38   |        |            |                  |                        |           |            |               |       |        |       |   |        |      |      |                                   |
| 1 PLC   | ± 0.25   |        |            |                  |                        |           |            |               |       |        |       |   |        |      |      |                                   |
| 2 PLC   | ± 0.13   |        |            |                  |                        |           |            |               |       |        |       |   |        |      |      |                                   |
| 3 PLC   | ± 0.05   |        |            |                  |                        |           |            |               |       |        |       |   |        |      |      |                                   |
| 4 PLC   | ±        |        |            |                  |                        |           |            |               |       |        |       |   |        |      |      |                                   |
| ANGLES  | ± 3'     |        |            |                  |                        |           |            |               |       |        |       |   |        |      |      |                                   |
| MATERIAL  | SEE NOTE | FINISH | SEE NOTE   | 108-57599        | SIZE                   | CAGE CODE | DRAWING NO | RESTRICTED TO |       |        |       |   |        |      |      |                                   |
|   |          |        |            | APPLICATION SPEC | A3                     | 00779     | C=1734290  |               |       |        |       |   |        |      |      |                                   |
|   |          | WEIGHT | 2.62 GRAMS | CUSTOMER DRAWING | SCALE                  | SHEET     | 1 of 2     | REV C         |       |        |       |   |        |      |      |                                   |

THIS DRAWING IS UNPUBLISHED. RELEASED FOR PUBLICATION  
 © COPYRIGHT 2011 BY TYCO ELECTRONICS CORPORATION. ALL RIGHTS RESERVED.

|           |      |              |      |     |      |
|-----------|------|--------------|------|-----|------|
| LOC<br>DW | DIST | REVISIONS    |      |     |      |
| P         | LTR  | DESCRIPTION  | DATE | DWN | APVD |
|           |      | SEE SHEET 1. |      |     |      |



- NOTES:
- MATERIAL:  
TRAY: PET  
SHIPPING BOX: CORRUGATED FIBER.
  - DIMENSION:  
TRAY: L=315mm, W=230mm, H=11.3mm  
SHIPPING BOX: 509mm\*345mm\*248mm
  - QUANTITY: SEE TABLE.
  - WEIGHT: SEE TABLE.



|          |          |                               |                         |                     |              |
|----------|----------|-------------------------------|-------------------------|---------------------|--------------|
| 15.0     | 14.0     | 4000                          | 2                       | 20                  | 100          |
| N.W(KGS) | N.W(KGS) | PACKAGING QTY'S/<br>OUTER BOX | INNER BOX/<br>OUTER BOX | TRAYS/<br>INNER BOX | PCS/<br>TRAY |

THIS DRAWING IS A CONTROLLED DOCUMENT.

|                   |  |                  |                                      |           |            |               |
|-------------------|--|------------------|--------------------------------------|-----------|------------|---------------|
| DIMENSIONS:<br>mm | TOLERANCES UNLESS OTHERWISE SPECIFIED: | DWN              | TE Connectivity                      |           |            |               |
| 0 PLC ±           | 1 PLC ±                                | CHK              | NAME                                 |           |            |               |
| 2 PLC ±           | 3 PLC ±                                | APVD             | IEEE 1394, RCPT, 6P<br>VERTICAL, T/H |           |            |               |
| 4 PLC ±           | ANGLES ±                               | PRODUCT SPEC     | SIZE                                 | CAGE CODE | DRAWING NO | RESTRICTED TO |
| MATERIAL          | FINISH                                 | APPLICATION SPEC | A3                                   | 00779     | C=1734290  |               |
| CUSTOMER DRAWING  |  |                  | SCALE                                | SHEET     | 2 of 2     | REV C         |