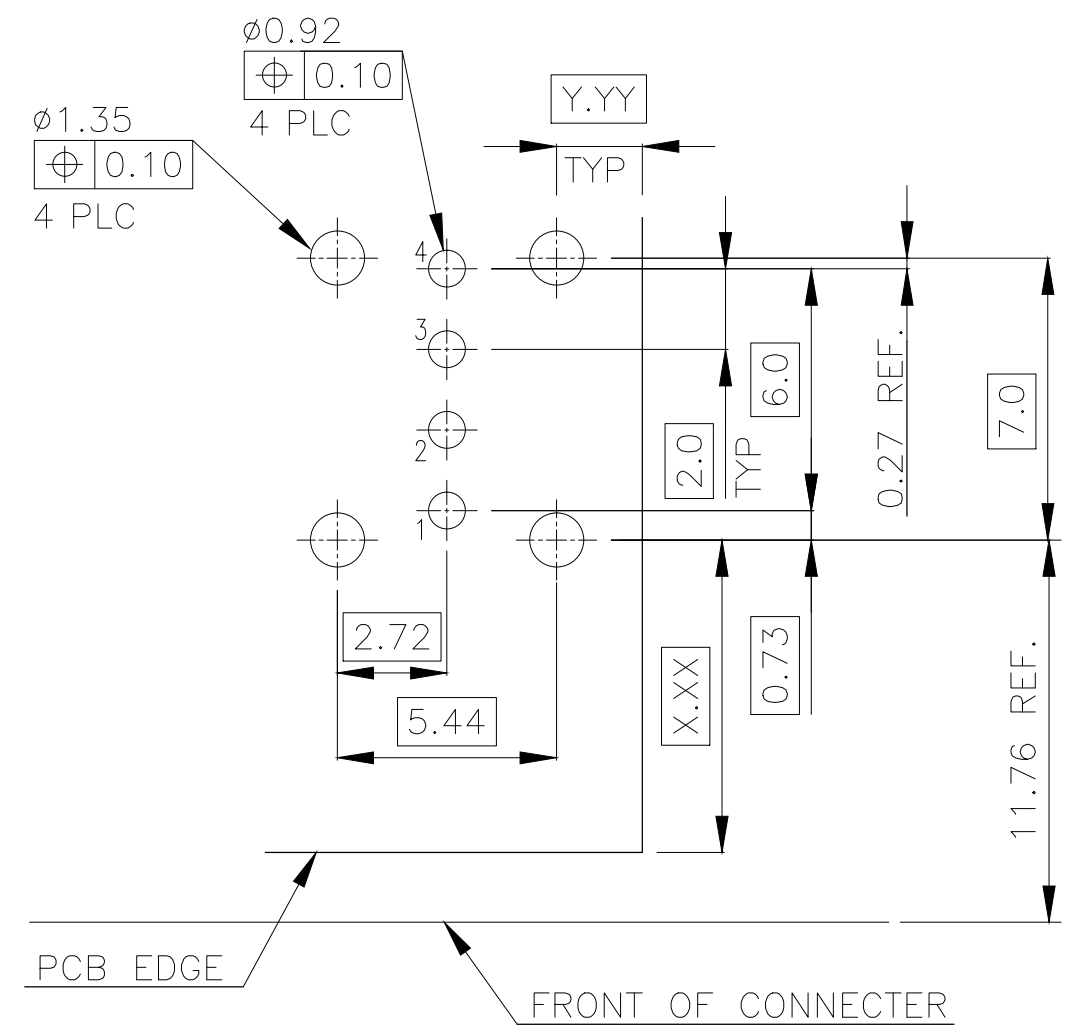
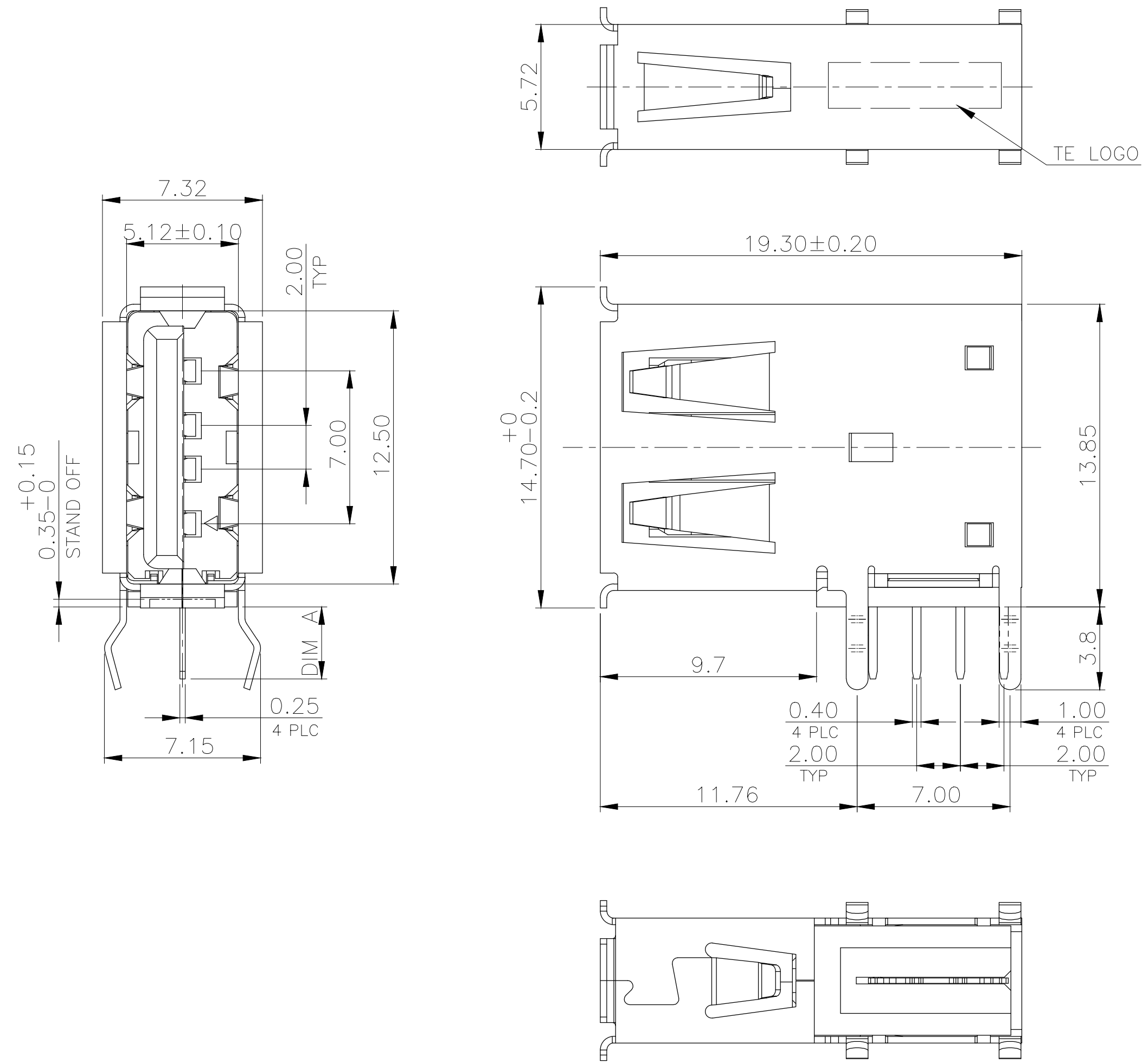


THIS DRAWING IS UNPUBLISHED. RELEASED FOR PUBLICATION
 © COPYRIGHT 2011 BY TYCO ELECTRONICS CORPORATION. ALL RIGHTS RESERVED.

LOC		DIST		REVISIONS			
P	LTR	DESCRIPTION		DATE	DWN	APVD	
	C	REVISED (ECR-14-014356), ADD STD OFF		24NOV14	SC	HL	

NOTES:

- MATERIAL:
 HOUSING: PBT WITH 30% GF, UL 94V-0, BLACK COLOR.
 CONTACTS: PHOSPHOR BRONZE.
 SHIELD: PHOSPHOR BRONZE.
- FINISH:
 CONTACTS: GOLD FLASH OVER
 0.762µm [30µ"] MIN. PALLADIUM-NICKEL PLATED ON CONTACT AREA,
 2.54µm [100µ"] MIN. MATTE-TIN ON SOLDER TAIL, WITH
 ENTIRE CONTACT UNDERPLATED 1.27µm [50µ"] MIN. NICKEL.
 SHIELD: 0.762µm [30µ"] MIN. NICKEL PLATED, WITH
 2.54µm [100µ"] MIN. Cu UNDERPLATED OVERALL.
- WAVE SOLDER CAPABLE TO 265°C PER TE TEST SPEC.
 109-202, CONDITION B.

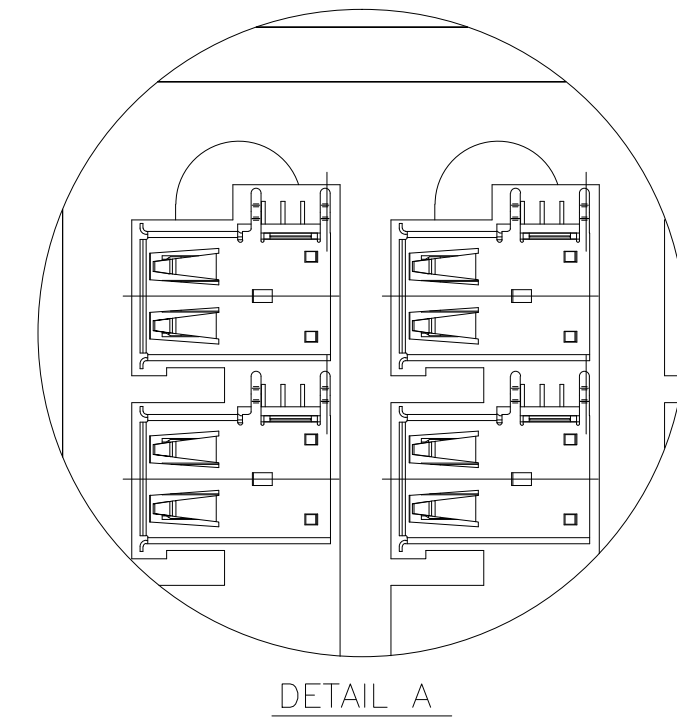
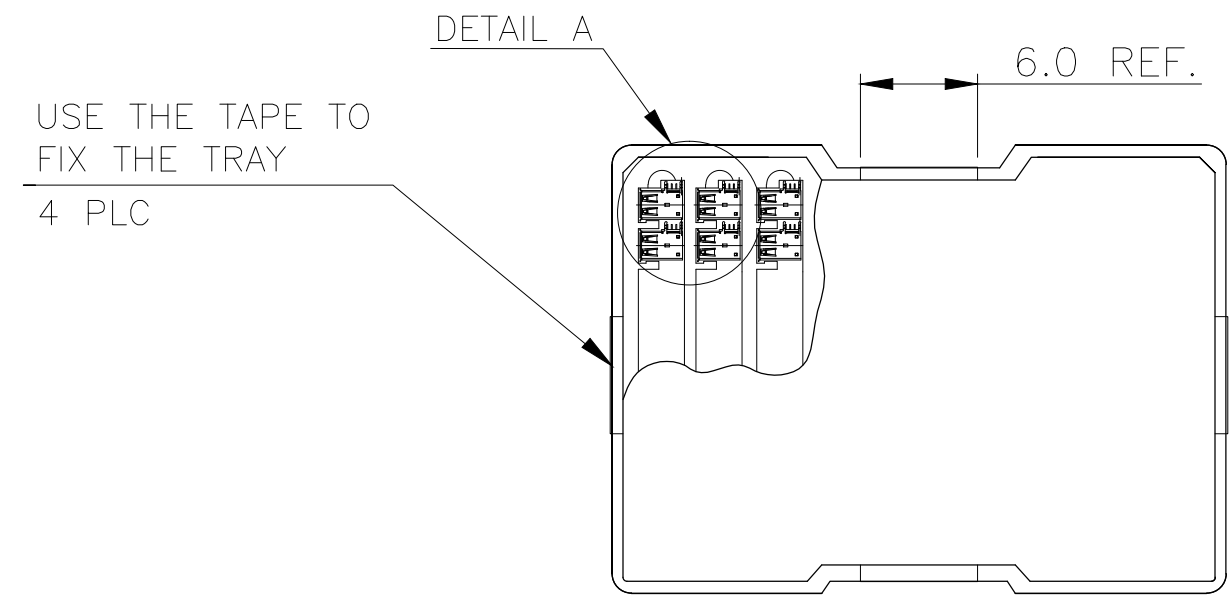
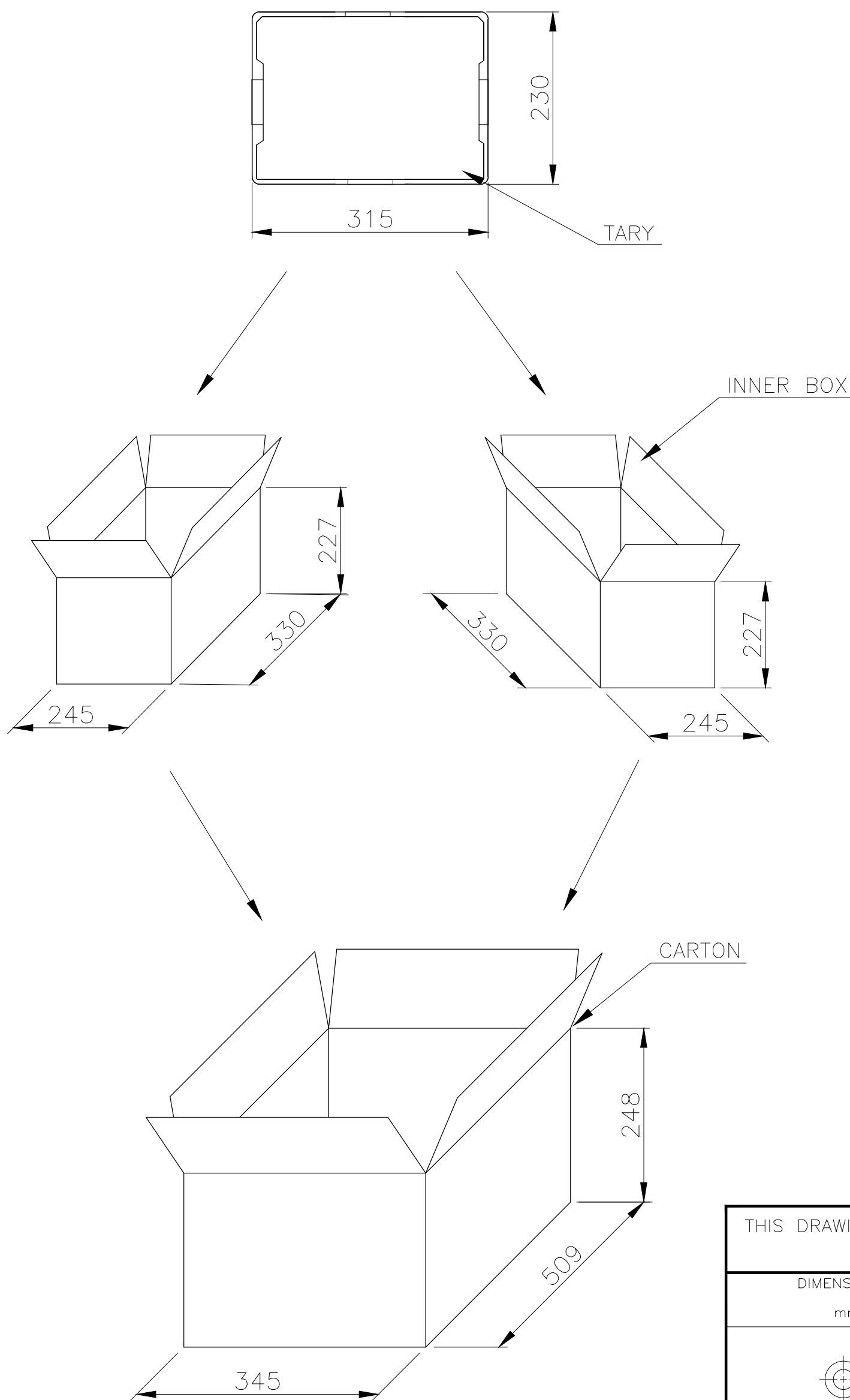


THIS DRAWING IS A CONTROLLED DOCUMENT.		DWN O. HU 22MAY2007	STE TE Connectivity	
DIMENSIONS: mm		CHK S. HOU 22MAY2007		
TOLERANCES UNLESS OTHERWISE SPECIFIED:		APVD W.J. KE 22MAY2007	NAME	
0 PLC ± 0.38		PRODUCT SPEC	USB CONNECTOR, RECEPTACLE, FLAG, R/A, DIP, A TYPE	
1 PLC ± 0.25		108-57322	SIZE	RESTRICTED TO
2 PLC ± 0.20		APPLICATION SPEC	CAGE CODE	
3 PLC ± -			DRAWING NO	
4 PLC ± -			A300779	©=1734775
ANGLES ± 3°		WEIGHT 2.4 GRAMS	SCALE	SHEET 1 OF 2
MATERIAL SEE NOTE		FINISH SEE NOTE	CUSTOMER DRAWING	REV C

THIS DRAWING IS UNPUBLISHED. RELEASED FOR PUBLICATION
 © COPYRIGHT 2011 BY TYCO ELECTRONICS CORPORATION. ALL RIGHTS RESERVED.

LOC DW
 DIST

REVISIONS				
P	LTR	DESCRIPTION	DATE	APVD
		SEE SHEET 1.		



11.1 Kg	10.1 Kg	100	21	2	4200 PCS
GROSS WEIGHT	NET WEIGHT	PCS/TRAY	TRAYS /INNER BOX	INNER BOX /CARTON	QUANTITY

THIS DRAWING IS A CONTROLLED DOCUMENT.		DWN	TE Connectivity USB CONNECTOR, RECEPTACLE, FLAG, R/A, DIP, A TYPE					
DIMENSIONS: mm		CHK				NAME		
TOLERANCES UNLESS OTHERWISE SPECIFIED: 0 PLC ± - 1 PLC ± - 2 PLC ± - 3 PLC ± - 4 PLC ± - ANGLES ± -		APVD				SIZE		
MATERIAL		PRODUCT SPEC	CAGE CODE		RESTRICTED TO			
FINISH		APPLICATION SPEC	DRAWING NO					
		WEIGHT	A300779		©=1734775			
		CUSTOMER DRAWING	SCALE	SHEET 2 OF 2	REV C			