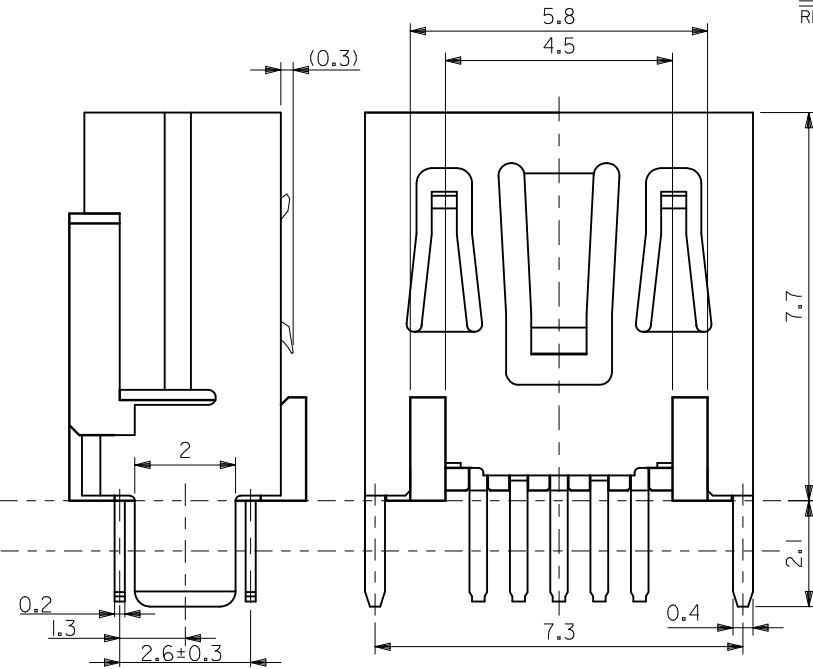
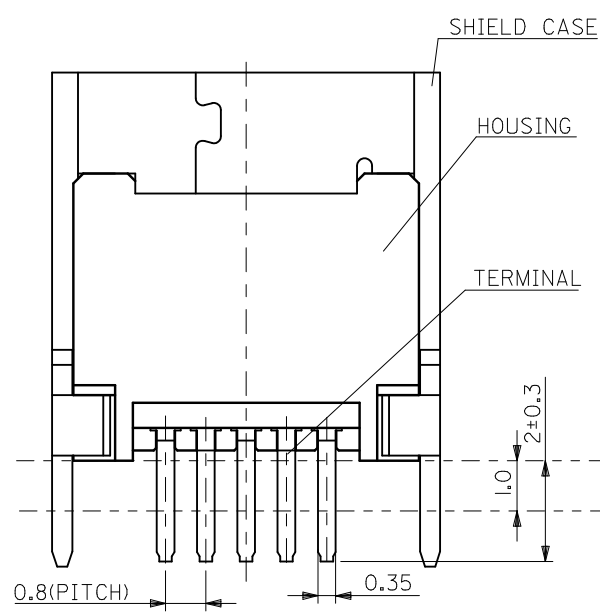


コネクタ実装側 (CONNECTOR MOUNT SIDE) 推奨基板寸法  
逆側 (REVERSE SIDE) 推奨基板寸法  
RECOMMENDED P.C.B. PATTERN LAYOUT



- 注記 NOTES
- 材質 MATERIAL  
 ハウジング: ポリアミド, 黒色, UL94V-0  
 HOUSING: POLYAMIDE, BLACK, UL94V-0  
 ターミナル: 銅合金 (t=0.2)  
 TERMINAL: COPPER ALLOY (t=0.2)  
 シールド ケース: 銅合金 (t=0.4)  
 SHIELD CASE: COPPER ALLOY (t=0.4)
  - メッキ仕様 PLATING  
 ターミナル TERMINAL  
 接点部: 金メッキ CONTACT AREA: GOLD  
 半田付け部: 錫メッキ SOLDER TAIL AREA: TIN  
 下地部: ニッケルメッキ UNDER PLATING: NICKEL  
 シールド ケース: 錫メッキ SHIELD CASE: TIN  
 下地部: ニッケルメッキ UNDER PLATING: NICKEL
  - ELV AND RoHS COMPLIANT

500075-1517
TRAY PKG.
ORDER No./オーダー番号

REVISED EC NO: J2011-1372 DRWN: KADONO CHKD: CHIKANO APPR: MYAGI 2011/04/18 2011/04/18 2011/04/18	GENERAL TOLERANCES (UNLESS SPECIFIED)		DIMENSION STYLE	SCALE	DESIGN UNITS	THIRD ANGLE PROJECTION <b>USB SERIES MINI-B STRAIGHT TYPE 2 REC ASSY -LEAD FREE-</b> <b>MOLEX INCORPORATED</b> SD-500075-008 SHEET NO. 1 OF 1
	10 UNDER ±0.2		MM ONLY	10:1	METRIC	
	10 OVER 30 UNDER ±0.25		DRAWN BY	DATE	TITLE	
	30 OVER ±0.3		DATE	DATE	DATE	
B REV	ANGULAR ±3 °		CHECKED BY	DATE	DATE	
	DRAFT WHERE APPLICABLE MUST REMAIN WITHIN DIMENSIONS		APPROVED BY	DATE	DATE	
	SIZE A3		MATERIAL NO.	DATE	DATE	
			SEE TABLE		DOCUMENT NO.	THIS DRAWING CONTAINS INFORMATION THAT IS PROPRIETARY TO MOLEX INCORPORATED AND SHOULD NOT BE USED WITHOUT WRITTEN PERMISSION