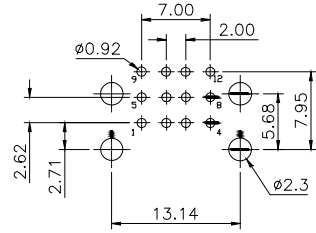
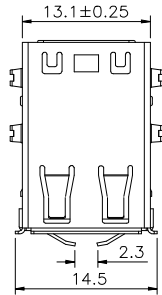
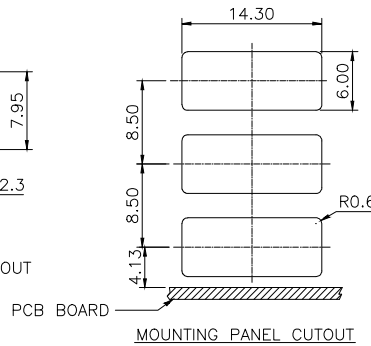


**② USB2.0 COMPLIANT**



RECOMMENDED P.C.B LAYOUT  
(TOLERANCE:±0.05)



PCB BOARD

MOUNTING PANEL CUTOUT

NOTES:

1.MATERIAL:

- 1.1 HOUSING: PA6T+30%G.F UL94V-0, BLACK COLOR.
- 1.2 CONTACT: BRASS
- 1.3 SHELL: PHOSPHOR BRONZE OR SK7
- 1.4 ISOLATED: PHOSPHOR BRONZE OR SK7
- 1.5 REAR SHELL: SPCC

2.FINISH:

- 2.1 CONTACT:  
CONTACT AREA:GOLD PLATED 30u"  
SOLDER AREA: 100u" MIN TIN PLATED  
UNDER PLATE: 50u" MIN NI PLATED
- 2.2 SHELL: 100u" MIN TIN PLATING ON SOLDER TAILS  
50u" MIN NI UNDERPLAING OVERALL

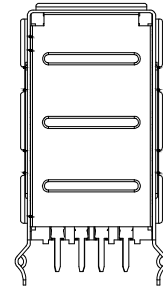
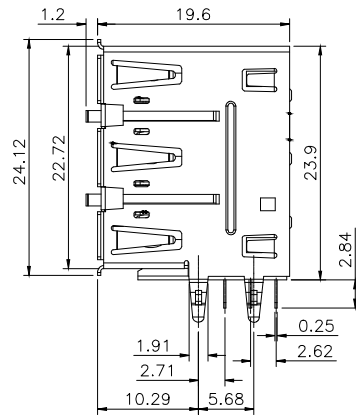
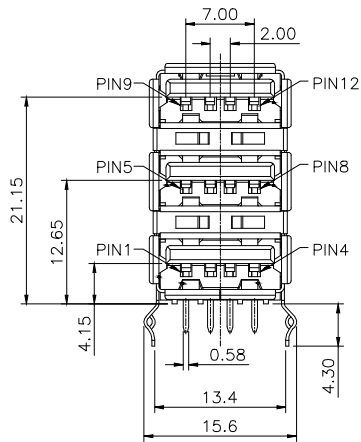
3. MECHANICAL:

- 3.1 MATING FORCE: 3.57kgf MAX.
- 3.2 UNMATING FORCE: 1.02kgf MIN
- 3.3 DURABILITY: 1500 CYCLES MIN

4. ELECTRICAL:

- 4.1 CURRENT RATING: 0.5A. MAX
- 4.2 VOLTAGE: 30V AC
- 4.3 DIELECTRIC WITHSTANDING VOLTAGE: 750V AC AT SEE LEVEL
- 4.4 CONTACT RESISTANCE: 30mΩ MAX.
- 4.5 INSULATION RESISTANCE: 1000MΩ MIN

- 5. OPERATING TEMPERATURE: -55°C TO +85°C.



RoHS compliant  
unit:mm

G	Scale	FREE				Date	Name	Customer-No.
	TOLERANCE				Drawn	03.12.2010	Rale	
H	X.X	±0.30			Approved	01.11.2013	Ray	ASSMANN WSW-No. A-USB/2-A-3P
	X.XX	±0.20						Drawing-No.
H	X.XXX	±0.10	②	Update	24.07.2019	Xavier		ASS 4355 CO
	DIM	TOL	①	Plant change	01.11.2013	Ray		rev02
	X.°	±5°	①	Drawn	03.12.2010	Rale		Sheet 1 of 1
	Angle	TOL	Id.	Modification	Date	Name	Replace	

