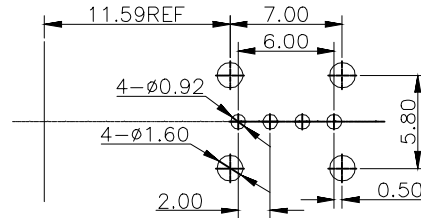
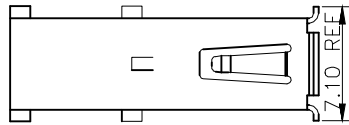
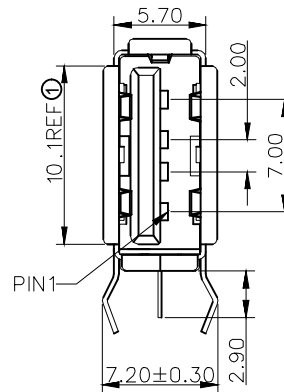
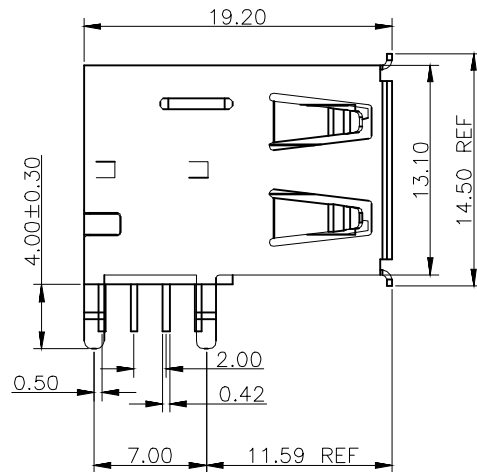


② USB2.0 COMPLIANT



RECOMMENDED P.C.B LAYOUT
TOLERANCE=±0.05MM



NOTES:

- 1.Material:
 - 1.1 Housing: PBT+30%GF UL94V-0, Color White
 - 1.2 Cover: PBT +30%GF UL94V-0, Color White
 - 1.3 Shell: Brass
 - 1.4 Contact :Phosphor Bronze
2. FINISH:
 - 2.1 Contact Area: Selective 30u"Au
 - Solder Area: Tin Plated
 - Under: Ni Plated
- 3.MECHANICAL:
 - 3.1 Mating Force:3.57kgf Max.
 - 3.2 Unmating Force:1.02kgf Min
 - 3.3 Durability:1500 cycles Min
- 4.ELECTRICAL:
 - 4.1 Current Rating:1.5A
 - 4.2 Dielectric Strength:500V AC FOR 1 MINUTE
 - 4.3 Contact Resistance:30mΩ Max
 - 4.4 Insulation Resistance:1000 MΩ Min
 - ③ 4.5 Voltage Rating: 30V AC
- 5.Operating temperature: -55°C TO +85°C
- ③ 6.Soldering temperature: 235±5 °C for 3~5S
- 7.PACKIING: Tray

RoHS compliant
Unit:mm

Scale	Free				Date	Name	Customer-No.
TOLERANCE					Drawn	07.06.2013	Winnie
.X	±0.30						
.XX	±0.20	③	Update	22.10.2019	Carson	Approved	22.10.2019
.XXX	±0.10	②	Update	24.07.2019	Xavier		
DIM	TOL	①	Update dimension	15.03.2019	Winnie	Drawing-No.	
X.°	±5°	①	Update dimension	15.03.2019	Winnie	ASS 5764 CO	rev03
Angle	TOL	①	Drawn	07.06.2013	Winnie		
UNIT	mm	Id.	Modification	Date	Name	Replace	SHEET

