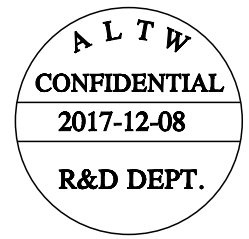
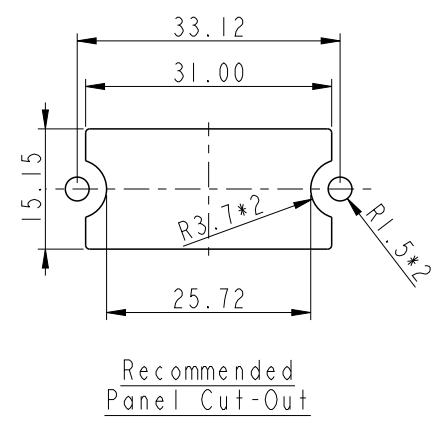
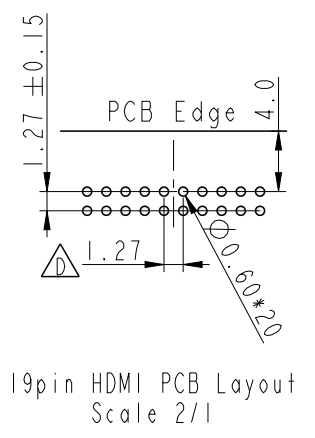
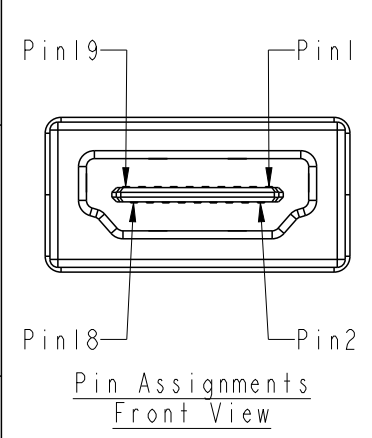
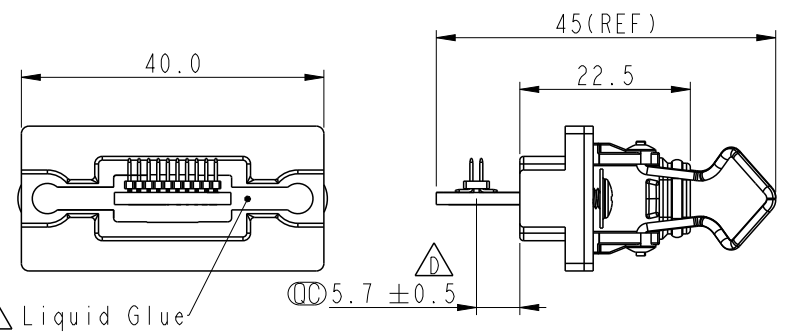
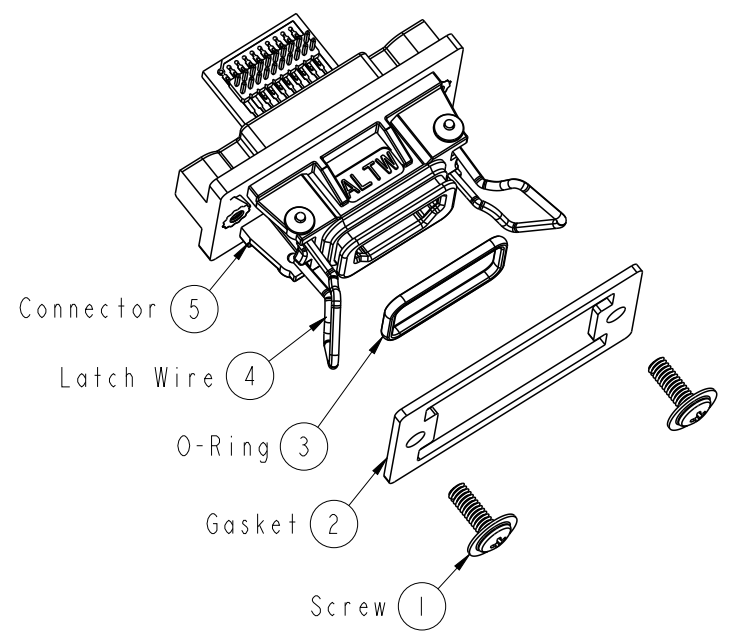
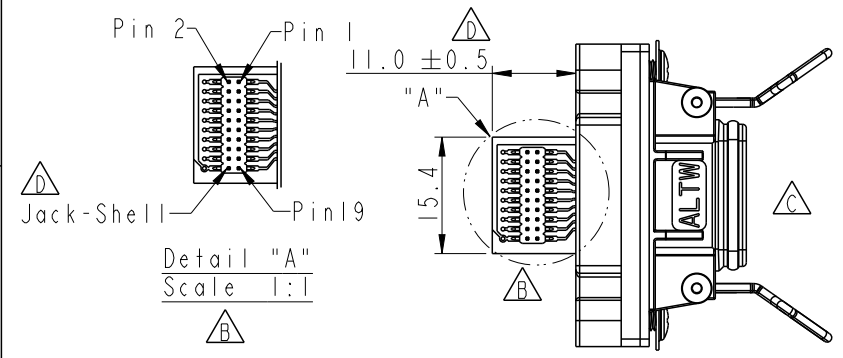


THIS DOCUMENT IS SUBJECT TO CHANGE WITHOUT NOTICE. IT IS CONFIDENTIAL AND A PROPERTY OF Amphenol LTW. DISCLOSURE TO THIRD PARTY HAS TO BE AUTHORIZED BY Amphenol LTW.

REV.	ECN NO.	DATE	SIGN	DESCRIPTION
B	LEN1110457	2011/01/13	Jiang Jun Hua	Add Pin Out.
C	LEN1750064	2017/04/28	Ruru	Change Logo
D	LEN17C0622	2017/12/08	Gaotong	Change Tolerance, Correct Drawing



- Note:
- * ⌀ Important Dimension.
 - * Waterproof Rate: IP67
 - * Connector: 19Pin HDMI Jack
 - * Pin: Copper Alloy, Gold Plated
 - * Gasket: Black, EPDM
 - * Oring: Black, Silicon
 - * Latch Wire: Stainless Steel
 - * For Panel Thickness Min 2.0mm
 - * For Panel Thickness Max 4.0mm

UNIT:mm		TITLE		Amphenol LTW	ITEM NO	DRAWN BY	DATE
		HDMI Panel Latch 19 F Conn F Pin			HJ-19PFFR-QS7001	Gaotong	2017/12/08
TOLERANCE		SCALE	SIZE	安費諾亮泰企業股份有限公司	DWG NO	CHECKED BY	DATE
.X ±0.25		1:1	A4		HJ-19PFFR-QS7001	Neo	2017/12/08
.XX ±0.1		REV.	WC-REV.	ALTW	CUSTOMER	APPROVED BY	DATE
.XXX ±0.05		D	A.1		ALTW	Max	2017/12/08
ANGLES ±1°							