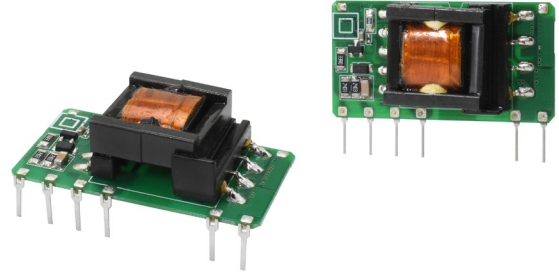


**SERIES:** PBO-10 | **DESCRIPTION:** AC-DC POWER SUPPLY

**FEATURES**

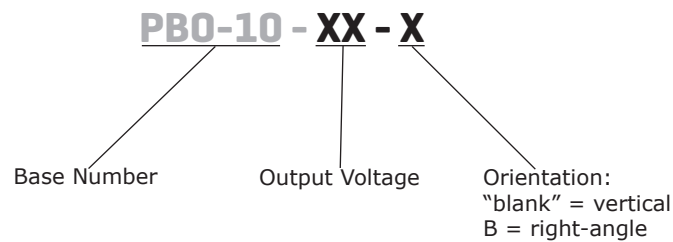
- wide input range (85 ~ 305 VAC)
- wide operating temperature range (-40 to +85 C)
- IEC/EN/UL 62368 certified
- designed to meet 60335 household safety certifications
- over voltage, over current, short circuit protections
- flexible implementations to power a wide array of applications



MODEL	output voltage	output current	output power	ripple and noise <sup>1</sup>	efficiency <sup>2</sup>
	(Vdc)	typ (A)	max (W)	max (mVp-p)	typ (%)
PBO-10-3 <sup>4,5</sup>	3.3	2.0	6.6	150	70
PBO-10-5 <sup>4,5</sup>	5	2.0	10.0	150	76
PBO-10-9 <sup>4,5</sup>	9	1.1	10.0	150	78
PBO-10-12 <sup>4,5</sup>	12	0.83	10.0	150	80
PBO-10-15 <sup>4,5</sup>	15	0.67	10.0	150	81
PBO-10-24 <sup>5</sup>	24	0.42	10.0	150	82

- Notes:
1. At full load, nominal input, 20 MHz bandwidth oscilloscope, with a 1 µF ceramic and 10 µF electrolytic capacitor on the output.
  2. At 230 Vac input.
  3. All specifications are measured at T<sub>a</sub>=25°C, humidity <75%, 115 or 230 Vac input voltage, and rated output load unless otherwise specified.
  4. Discontinued model - vertical
  5. Discontinued model - right angle

**PART NUMBER KEY**



## INPUT

parameter	conditions/description	min	typ	max	units
voltage		85		305	Vac
		100		430	Vdc
frequency		47		63	Hz
current	at 115 Vac			0.3	A
	at 230 Vac			0.15	A
inrush current	at 115 Vac		15		A
	at 230 Vac		30		A

## OUTPUT

parameter	conditions/description	min	typ	max	units
capacitive load	3.3 Vdc output models			1,500	μF
	5 Vdc output models			1,500	μF
	9 Vdc output models			1,000	μF
	12 Vdc output models			680	μF
	15 Vdc output models			470	μF
	24 Vdc output models			330	μF
initial set point accuracy	from 0~100% load			±3	%
	3.3 Vdc output models all other models			±2	%
line regulation	at rated load		±0.5	±1	%
load regulation	from 0~100% load		±1	±1.5	%
temperature coefficient			±0.02		%/°C

## PROTECTIONS

parameter	conditions/description	min	typ	max	units
over voltage protection	output voltage clamp or hiccup				
	3.3 & 5 Vdc output models			9	Vdc
	9 Vdc output models			15	Vdc
	12 & 15 Vdc output models			25	Vdc
	24 Vdc output models			35	Vdc
over current protection	auto recovery	110			%
short circuit protection	continuous, auto recovery, hiccup				

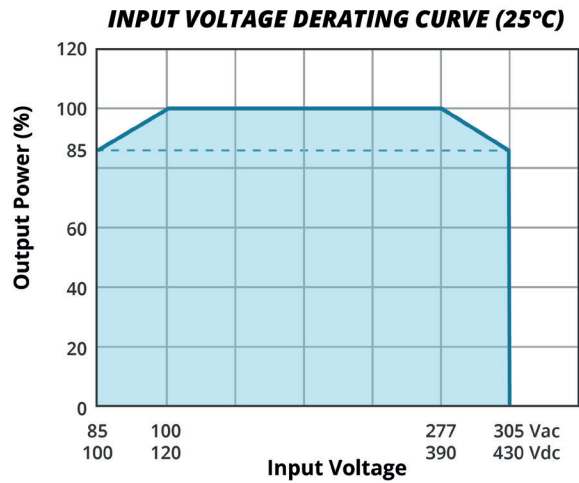
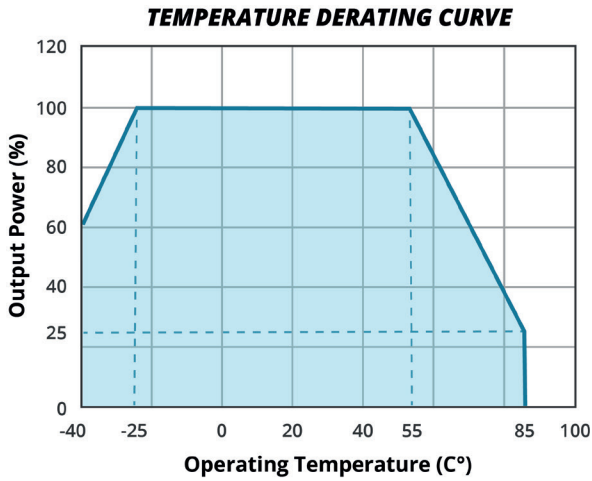
## SAFETY & COMPLIANCE

parameter	conditions/description	min	typ	max	units
isolation voltage	input to output, 1 min, <5mA	3,000			Vac
safety approvals	certified to 62368: IEC, EN, UL designed to meet 60335: IEC, EN				
safety class	class II				
conducted emissions	CISPR32/EN55032 Class A (recommended circuit 1,4) CISPR32/EN55032 Class B (recommended circuit 2,3)				
radiated emissions	CISPR32/EN55032 Class A (recommended circuit 1,4) CISPR32/EN55032 Class B (recommended circuit 2,3)				
ESD	IEC/EN61000-4-2, ±6 kV, perf. Criteria B				
radiated immunity	IEC/EN61000-4-3, 10V/m, perf. Criteria A				
EFT/burst	IEC/EN61000-4-4, ±2 kV (recommended circuit 1,2), perf. Criteria B				
	IEC/EN61000-4-4, ±4 kV (recommended circuit 3,4), perf. Criteria B				
surge	IEC/EN61000-4-5, line to line ±1kV (recommended circuit 1,2), perf. Criteria B				
	IEC/EN61000-4-5, line to line ±2kV (recommended circuit 3,4), perf. Criteria B				
	IEC/EN61000-4-5, line to line ±4kV (recommended circuit 4), perf. Criteria B				
conducted immunity	IEC/EN61000-4-6, 10 Vr.m.s, perf. Criteria A				
voltage dips & interruptions	IEC/EN61000-4-11 0%, 70%, perf. Criteria B				
MTBF	as per MIL-HDBK-217 at °C	300,000			hours
RoHS	yes				

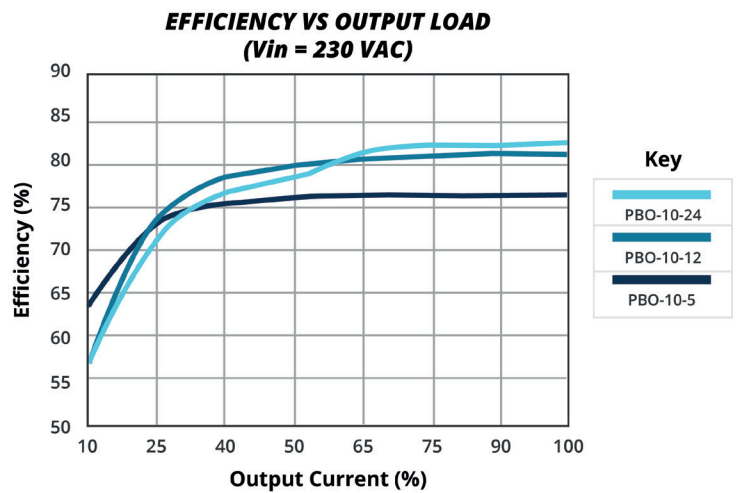
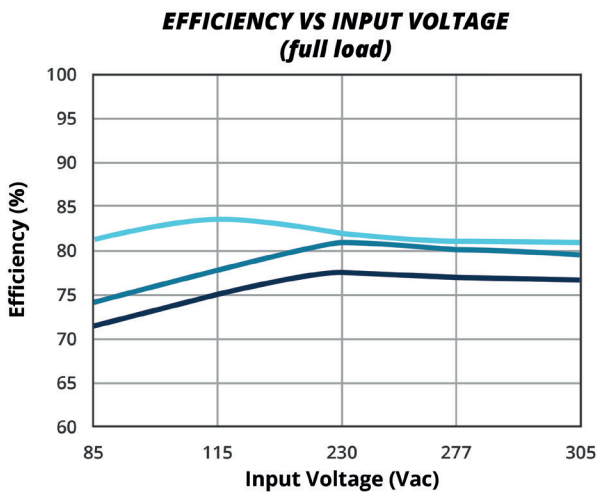
## ENVIRONMENTAL

parameter	conditions/description	min	typ	max	units
operating temperature	see derating curves	-40		85	°C
storage temperature		-40		105	°C
storage humidity	non-condensing			95	%

## DERATING CURVES



## EFFICIENCY CURVES



## MECHANICAL

parameter	conditions/description	min	typ	max	units
dimensions	44.50 x 24.00 x 15.00 (1.751 x 0.944 x 0.590 inches)				mm
weight			11		g

## MECHANICAL DRAWING

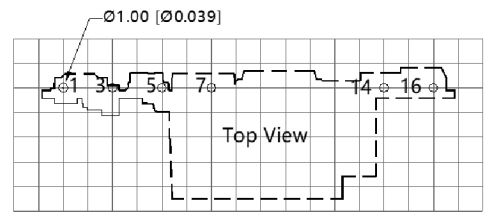
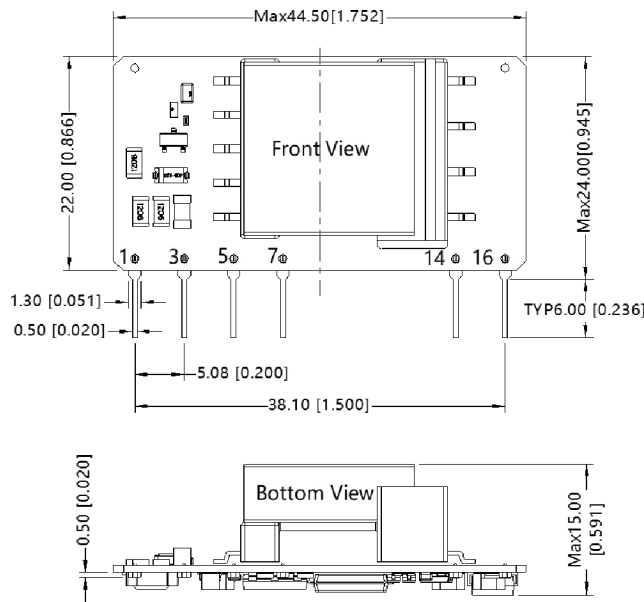
### Vertical Orientation

units: mm[inch]

pin section tolerance:  $\pm 0.10[\pm 0.004]$

tolerance:  $\pm 0.50[\pm 0.020]$

PIN CONNECTIONS	
PIN	Function
1	AC (N)
3	AC (L)
5	+V(CAP)
7	-V(CAP)
14	-Vo
16	+Vo



Note: Grid 2.54\*2.54mm

## MECHANICAL DRAWING (CONTINUED)

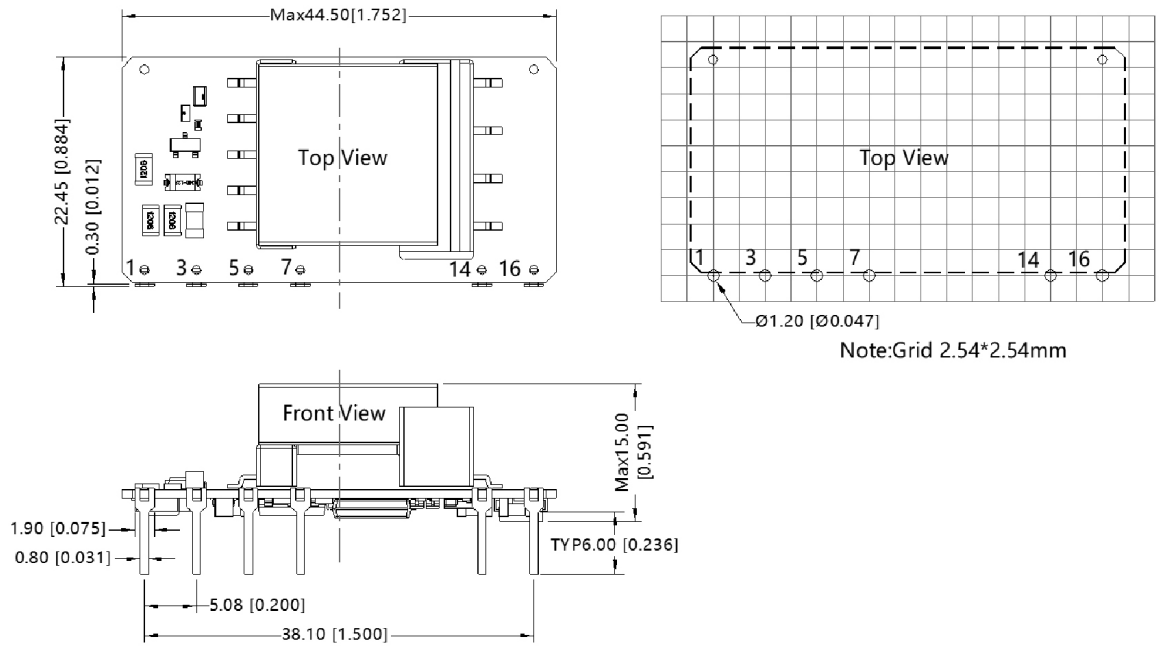
### Right-angle Orientation

units: mm[inch]

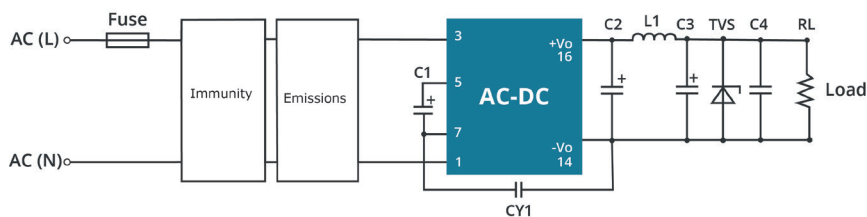
tolerance:  $\pm 0.50$  [ $\pm 0.020$ ]

pin section tolerance:  $\pm 0.10$  [ $\pm 0.004$ ]

PIN CONNECTIONS	
PIN	Function
1	AC (N)
3	AC (L)
5	+V(CAP)
7	-V(CAP)
14	-Vo
16	+Vo



## APPLICATION DESIGN REFERENCE



PBO-10 series additional circuits design reference			
Immunity design circuits for reference		Emissions design circuits for reference	
Class III	Class IV	Class A	Class B

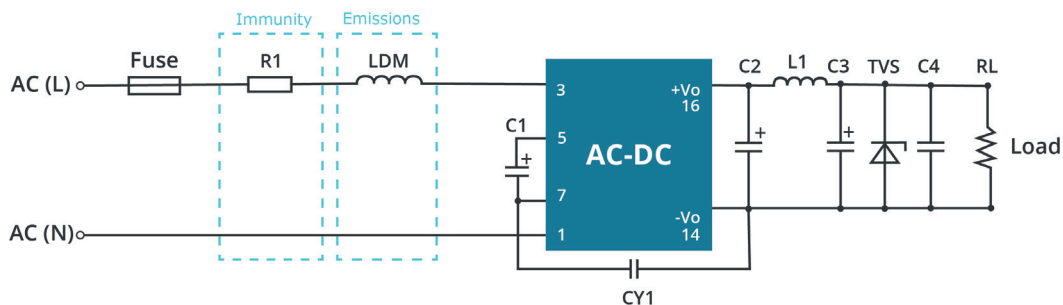
PBO-10 Series additional component selection guide									
Part no.	FUSE (required)	C1 (required)	C2 (required)	L1 (required)	C3 <sup>1</sup> (required)	C4	CY1 (required)	TVS <sup>2</sup>	
PBO-10-3	1A/300V	22μF/450V	470μF/16V (solid-state capacitor)	4.7μF (max 60mΩ)	150μF/35V	0.1μF/50V	1.0nF/400Vac	SMBJ7.0A	
PBO-10-5									SMBJ7.0A
PBO-10-9									SMBJ12A
PBO-10-12			270μF/16V (solid-state capacitor)		47μF/35V			SMBJ20A	
PBO-10-15			470μF/35V					SMBJ20A	
PBO-10-24			220μF/35V		47μF/35V			SMBJ30A	

- Note: 1. Recommended to use a high frequency, low ESR, electrolytic capacitor with at least 20% margin on voltage rating.  
 2. A suppressor diode (TVS) is recommended to protect the downstream application in case of converter failure and should be rated for a minimum of 1.2 times the converter's output voltage.

PBO-10 Series Environmental and EMC selection guide						
Recommended circuit	Application environment	Typical industry	Input voltage range	Environment temperature	Emissions	Immunity
1	Basic application	None	85 ~ 305 Vac	-40° ~ 85°C	Class A	Class III
2	Indoor civil	Smart home / Home appliances (2 Y-caps)		-25° ~ 55°C	Class B	Class III
	Indoor general	Intelligent building / Intelligent agriculture				
3	Indoor industrial	Manufacturing workshop		-25° ~ 55°C	Class B	Class IV
4	Outdoor general	ITS / Video monitoring / Charging point / Communication / Security and protection		-40° ~ 85°C	Class A	Class IV
	Outdoor harsh	On-line power meter Communication base station		-40° ~ 85°C	Class A	Class IV Surge: line to gnd ±4KV EFT: Class IV

## EMC RECOMMENDED CIRCUIT

**Circuit 1**



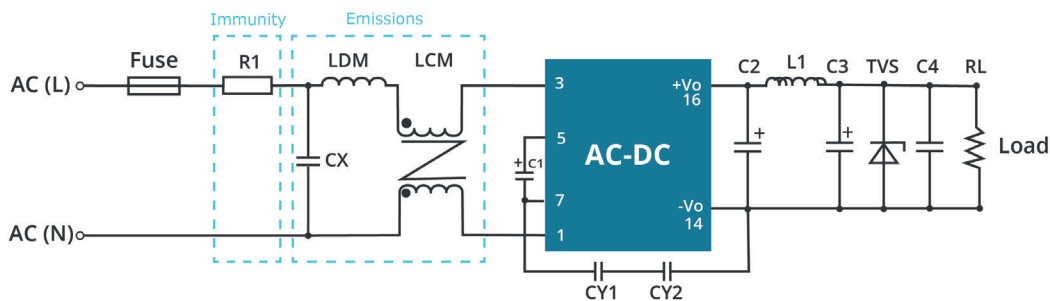
**Table 1**

Application environment	Ambient temperature range	Immunity Class	Emissions Class
Basic application	-40°C ~ 85°C	Class III	Class A

Component	Recommended value
R1	12Ω/3W
LDM	4.7mH

Note: R1 must be a wire-wound resistor; do not use a chip or carbon film resistor.

**Circuit 2**



**Table 2**

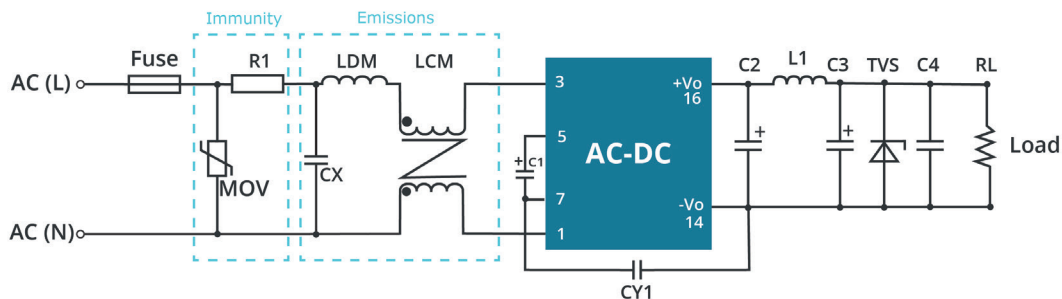
Application environment	Ambient temperature range	Immunity Class	Emissions Class
Indoor civil / general	-25°C ~ 55°C	Class III	Class B

Component	Recommended value
R1	12Ω/3W
CY1 (CY2)	1.0nF/400Vac
LCM	3.5 mH
LDM	0.33 mH
CX	0.1μF/310Vac
FUSE (required)	1A/300V, slow-blow

Note: 1. For Smart Home and Home Appliance applications two Y-capacitors are required in series (2.2 nF/400 Vac each) to meet 60335 household safety requirements.  
2. R1 must be a wire-wound resistor; do not use a chip or carbon film resistor.

## EMC RECOMMENDED CIRCUIT (CONTINUED)

**Circuit 3**



**Table 3**

Application environment	Ambient temperature range	Immunity Class	Emissions Class
Indoor industrial	-25°C ~ 55°C	Class IV	Class B

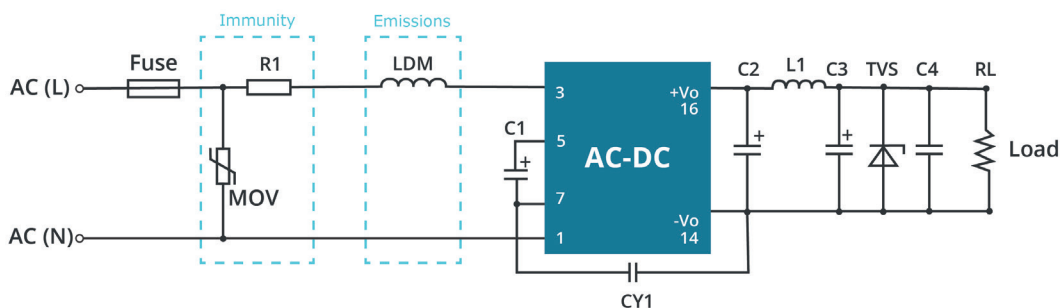
Component	Recommended value
MOV	S14K350
C1	22uF/450V
CY1	2.2nF/400Vac
CX	0.1µF/310Vac
LCM	3.5mH
LDM	0.33mH
R1	12Ω/3W
FUSE (required)	2A/300V, slow-blow

Note: R1 must be a wire-wound resistor; do not use a chip or carbon film resistor.



## EMC RECOMMENDED CIRCUIT (CONTINUED)

**Circuit 4**



**Table 4**

Application environment	Ambient temperature range	Immunity Class	Emissions Class
Outdoor general	-40°C ~ 85°C	Class IV	Class A

Component	Recommended value
MOV	S14K350
C1	22uF/450V
LDM	4.7mH
R1	12Ω/3W
FUSE (required)	2A/300V, slow-blow

Note: R1 must be a wire-wound resistor; do not use a chip or carbon film resistor.

**Table 5**

Application environment	Ambient temperature range	Immunity Class	Emissions Class
Outdoor harsh	-40°C ~ 85°C	Class IV surge: line to ground ± 4kV EFT: Class IV	Class A

Component	Recommended value
MOV	S20K350
C1	33uF/450V (surge protection priority)
LDM	4.7mH
R1	33Ω/5W
FUSE (required)	6.3A/300V, slow-blow

Note: R1 must be a wire-wound resistor; do not use a chip or carbon film resistor.

## REVISION HISTORY

rev.	description	date
1.0	initial release	12/10/2020
1.01	derating and efficiency curves updated	01/21/2022
1.02	UKCA added to spec	05/25/2022
1.03	discontinued models PBO-10-3 PBO-10-5, PBO-10-9, PBO-10-12, PBO-10-15, PBO-10-3-B, PBO-10-5-B, PBO-10-9-B, PBO-10-12-B, PBO-10-15-B, PBO-10-24-B	04/09/2023

The revision history provided is for informational purposes only and is believed to be accurate.



**CUI INC**  
a bel group

**Headquarters**  
20050 SW 112th Ave.  
Tualatin, OR 97062  
**800.275.4899**

Fax 503.612.2383  
**cui.com**  
techsupport@cui.com

CUI offers a two (2) year limited warranty. Complete warranty information is listed on our website.

CUI reserves the right to make changes to the product at any time without notice. Information provided by CUI is believed to be accurate and reliable. However, no responsibility is assumed by CUI for its use, nor for any infringements of patents or other rights of third parties which may result from its use.

CUI products are not authorized or warranted for use as critical components in equipment that requires an extremely high level of reliability. A critical component is any component of a life support device or system whose failure to perform can be reasonably expected to cause the failure of the life support device or system, or to affect its safety or effectiveness.