



Timing relay, electronic with star-delta (wye-delta) function 1 NO delayed 1 NO instantaneous 1 time range, 3...60 s 12-240 V AC/DC at 50/60 Hz AC with LED, Screw terminal

|   |                                 |
|---|---------------------------------|
| <b>product brand name</b>   | SIRIUS                          |
| <b>product designation</b>  | timing relay                    |
| <b>design of the product</b>  | Star-delta (wye-delta) function |
| <b>product type designation</b>   | 3RP25                           |
| <b>General technical data</b>   |                                 |
| <b>product component</b>  |                                 |
| • relay output  | Yes                             |
| • semi-conductor output   | No                              |
| <b>product extension required remote control</b>  | No                              |
| <b>product extension optional remote control</b>  | No                              |
| insulation voltage for overvoltage category III according to IEC 60664 with degree of pollution 3 rated value | 300 V                           |
| <b>test voltage for isolation test</b>  | 2.5 kV                          |
| <b>degree of pollution</b>  | 3                               |
| <b>surge voltage resistance rated value</b>   | 4 000 V                         |
| <b>protection class IP</b>  | IP20                            |
| shock resistance acc. to IEC 60068-2-27   | 11g / 15 ms                     |
| vibration resistance acc. to IEC 60068-2-6  | 10 ... 55 Hz / 0.35 mm          |
| mechanical service life (switching cycles) typical  | 10 000 000                      |
| electrical endurance (switching cycles) at AC-15 at 230 V typical   | 100 000                         |
| <b>adjustable time</b>  | 3 ... 60 s                      |
| <b>relative setting accuracy relating to full-scale value</b>   | 5 %                             |
| <b>thermal current</b>  | 5 A                             |
| <b>recovery time</b>  | 250 ms                          |
| <b>reference code acc. to IEC 81346-2</b>   | K                               |
| <b>relative repeat accuracy</b>   | 1 %                             |
| <b>Control circuit/ Control</b>   |                                 |
| <b>type of voltage of the control supply voltage</b>  | AC/DC                           |
| <b>control supply voltage 1 at AC</b>   |                                 |
| • at 50 Hz  | 12 ... 240 V                    |
| • at 60 Hz  | 12 ... 240 V                    |
| <b>control supply voltage frequency 1</b>   | 50 ... 60 Hz                    |
| • control supply voltage 1 at DC  | 12 ... 240 V                    |
| <b>operating range factor control supply voltage rated value at DC</b>  |                                 |
| • initial value   | 0.8                             |
| • full-scale value  | 1.1                             |

|   |                 |
|---|-----------------|
| <b>operating range factor control supply voltage rated value at AC at 50 Hz</b>       |                 |
| • initial value   | 0.8             |
| • full-scale value  | 1.1             |
| <b>operating range factor control supply voltage rated value at AC at 60 Hz</b>       |                 |
| • initial value   | 0.8             |
| • full-scale value  | 1.1             |
| <b>inrush current peak</b>  |                 |
| • at 24 V   | 0.5 A           |
| • at 240 V  | 5 A             |
| <b>duration of inrush current peak</b>  |                 |
| • at 24 V   | 0.4 ms          |
| • at 240 V  | 0.5 ms          |
| <b>Switching Function</b>   |                 |
| <b>switching function</b>   |                 |
| • ON-delay  | No              |
| • ON-delay/instantaneous contact  | No              |
| • passing make contact  | No              |
| • passing make contact/instantaneous contact  | No              |
| • OFF delay   | No              |
| <b>switching function</b>   |                 |
| • flashing symmetrically with interval start/instantaneous                            | No              |
| • flashing symmetrically with interval start  | No              |
| • flashing symmetrically with pulse start/instantaneous                               | No              |
| • flashing symmetrically with pulse start   | No              |
| • flashing asymmetrically with interval start   | No              |
| • flashing asymmetrically with pulse start  | No              |
| <b>switching function</b>   |                 |
| • star-delta circuit with delay time  | No              |
| • star-delta circuit  | Yes             |
| <b>switching function with control signal</b>   |                 |
| • additive ON-delay   | No              |
| • passing break contact   | No              |
| • passing break contact/instantaneous   | No              |
| • OFF delay   | No              |
| • OFF delay/instantaneous   | No              |
| • pulse delayed   | No              |
| • pulse delayed/instantaneous   | No              |
| • pulse-shaping   | No              |
| • pulse-shaping/instantaneous   | No              |
| • additive ON-delay/instantaneous   | No              |
| • ON-delay/OFF-delay/instantaneous  | No              |
| • passing make contact  | No              |
| • passing make contact/instantaneous contact  | No              |
| <b>switching function of interval relay with control signal</b>                       |                 |
| • retrotriggerable with deactivated control signal/instantaneous contact              | No              |
| • retrotriggerable with switched-on control signal                                    | No              |
| • retrotriggerable with switched-on control signal/instantaneous contact              | No              |
| • retriggerable with deactivated control signal                                       | No              |
| <b>Short-circuit protection</b>   |                 |
| design of the fuse link for short-circuit protection of the auxiliary switch required | fuse gL/gG: 4 A |
| <b>Auxiliary circuit</b>  |                 |
| <b>material of switching contacts</b>   | AgSnO2          |
| number of NC contacts delayed switching   | 0               |

|  |  |
|--|--|
| number of NO contacts delayed switching  | 1  |
| number of CO contacts delayed switching  | 0  |
| <b>operational current of auxiliary contacts at AC-15</b>                      |  |
| • at 24 V  | 3 A  |
| • at 250 V   | 3 A  |
| <b>operational current of auxiliary contacts at DC-13</b>                      |  |
| • at 24 V  | 1 A  |
| • at 125 V   | 0.2 A  |
| • at 250 V   | 0.1 A  |
| <b>operating frequency with 3RT2 contactor maximum</b>                         | 5 000 1/h  |
| <b>contact reliability of auxiliary contacts</b>                               | one incorrect switching operation of 100 million switching operations (17 V, 5 mA) |
| <b>contact rating of auxiliary contacts according to UL</b>                    | R300 / B300  |
| <b>influence of the surrounding temperature</b>                                | 1% in the whole temperature range to the set runtime                               |
| <b>power supply influence</b>  | 1% in the whole voltage range to the set runtime                                   |
| <b>switching capacity current with inductive load</b>                          | 0.01 ... 3 A   |
| <b>Inputs/ Outputs</b>   |  |
| <b>product function</b>  |  |
| • at the relay outputs switchover delayed/without delay                        | No   |
| • non-volatile   | No   |
| <b>Electromagnetic compatibility</b>   |  |
| EMC immunity acc. to IEC 61812-1   | EN 61000-6-2   |
| <b>conducted interference</b>  |  |
| • due to burst acc. to IEC 61000-4-4   | 2 kV network connection / 1 kV control connection                                  |
| • due to conductor-earth surge acc. to IEC 61000-4-5                           | 2 kV   |
| • due to conductor-conductor surge acc. to IEC 61000-4-5                       | 1 kV   |
| <b>field-based interference acc. to IEC 61000-4-3</b>                          | 10 V/m   |
| <b>electrostatic discharge acc. to IEC 61000-4-2</b>                           | 4 kV contact discharge / 8 kV air discharge  |
| <b>Safety related data</b>   |  |
| <b>touch protection against electrical shock</b>                               | finger-safe  |
| <b>type of insulation</b>  | Basic insulation   |
| <b>category acc. to EN 954-1</b>   | none   |
| <b>Connections/ Terminals</b>  |  |
| product function removable terminal for auxiliary and control circuit          | Yes  |
| type of electrical connection for auxiliary and control circuit                | screw-type terminals   |
| <b>type of connectable conductor cross-sections</b>                            |  |
| • solid  | 1x (0.5 ... 4.0 mm <sup>2</sup> ), 2x (0.5 ... 2.5 mm <sup>2</sup> )               |
| • finely stranded with core end processing                                     | 1x (0.5 ... 4 mm <sup>2</sup> ), 2x (0.5 ... 1.5 mm <sup>2</sup> )                 |
| • at AWG cables solid  | 1x (20 ... 12), 2x (20 ... 14)   |
| • at AWG cables stranded   | 1x (20 ... 12), 2x (20 ... 14)   |
| • connectable conductor cross-section solid                                    | 0.5 ... 4 mm <sup>2</sup>  |
| • connectable conductor cross-section finely stranded with core end processing | 0.5 ... 4 mm <sup>2</sup>  |
| • AWG number as coded connectable conductor cross section solid                | 20 ... 12  |
| • AWG number as coded connectable conductor cross section stranded             | 20 ... 14  |
| <b>tightening torque</b>   | 0.6 ... 0.8 N·m  |
| <b>design of the thread of the connection screw</b>                            | M3   |
| <b>Installation/ mounting/ dimensions</b>                                      |  |
| <b>mounting position</b>   | any  |
| <b>fastening method</b>  | screw and snap-on mounting onto 35 mm standard mounting rail                       |
| <b>height</b>  | 100 mm   |
| <b>width</b>   | 22.5 mm  |
| <b>depth</b>   | 90 mm  |
| <b>required spacing</b>  |  |

- with side-by-side mounting
  - forwards 0 mm
  - backwards 0 mm
  - upwards 0 mm
  - downwards 0 mm
  - at the side 0 mm
- for grounded parts
  - forwards 0 mm
  - backwards 0 mm
  - upwards 0 mm
  - at the side 0 mm
  - downwards 0 mm
- for live parts
  - forwards 0 mm
  - backwards 0 mm
  - upwards 0 mm
  - downwards 0 mm
  - at the side 0 mm

#### Ambient conditions

|  |  |
|--|--|
| installation altitude at height above sea level maximum  | 2 000 m  |
| <ul style="list-style-type: none"> <li>• ambient temperature during operation</li> <li>• ambient temperature during storage</li> <li>• ambient temperature during transport</li> </ul> | -25 ... +60 °C<br>-40 ... +85 °C<br>-40 ... +85 °C |
| relative humidity during operation   | 10 ... 95 %  |

#### Certificates/ approvals

|                          |     |                           |
|--------------------------|-----|---------------------------|
| General Product Approval | EMC | Declaration of Conformity |
|--------------------------|-----|---------------------------|



[Miscellaneous](#)

|                           |                   |                   |
|---------------------------|-------------------|-------------------|
| Declaration of Conformity | Test Certificates | Marine / Shipping |
|---------------------------|-------------------|-------------------|



[Type Test Certificates/Test Report](#)



|                   |       |
|-------------------|-------|
| Marine / Shipping | other |
|-------------------|-------|



[Confirmation](#)

#### Further information

Information- and Downloadcenter (Catalogs, Brochures,...)

<https://www.siemens.com/ic10>

Industry Mall (Online ordering system)

<https://mall.industry.siemens.com/mall/en/en/Catalog/product?mlfb=3RP2576-1NW30>

Cax online generator

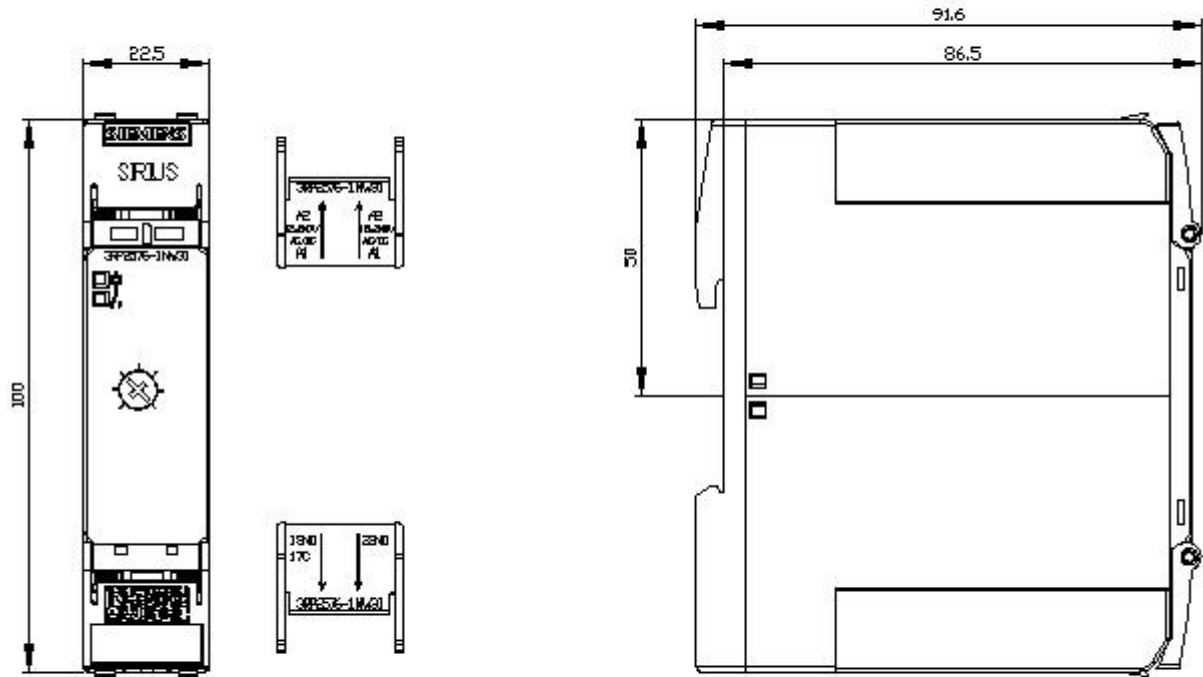
<http://support.automation.siemens.com/WW/CAXorder/default.aspx?lang=en&mlfb=3RP2576-1NW30>

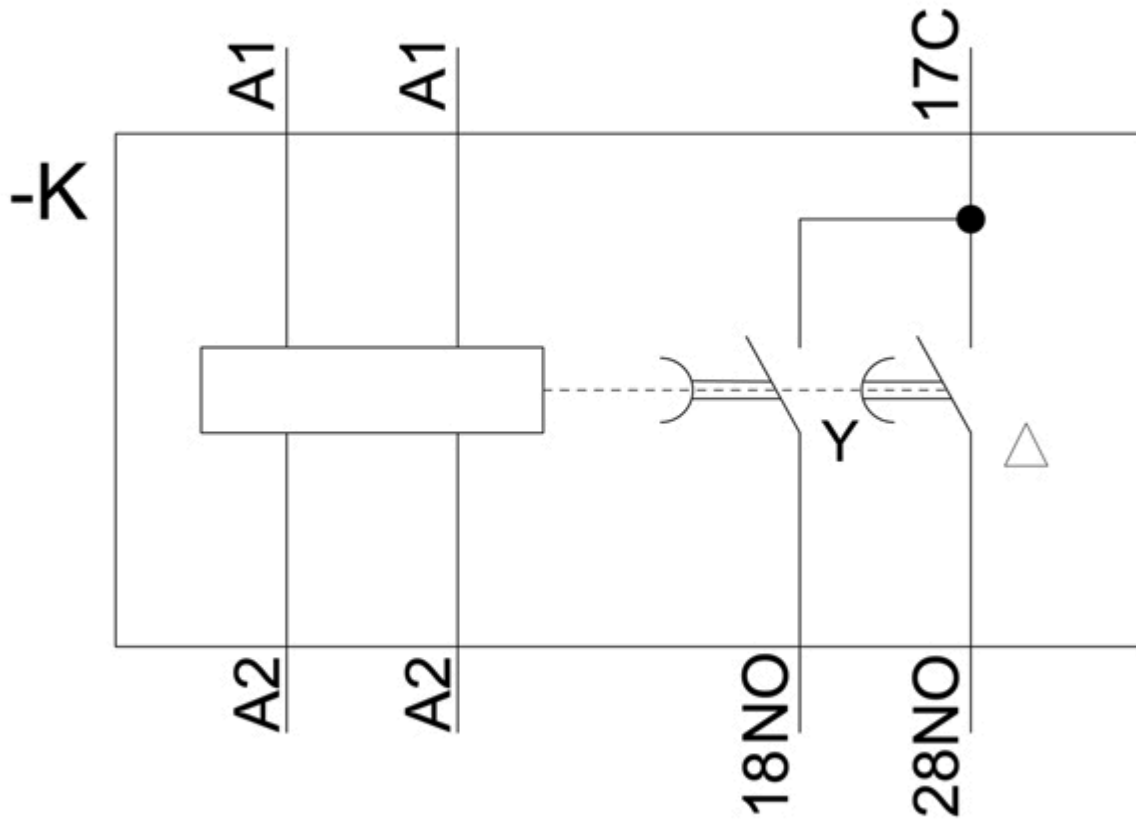
Service&Support (Manuals, Certificates, Characteristics, FAQs,...)

<https://support.industry.siemens.com/cs/ww/en/ps/3RP2576-1NW30>

**Characteristic: Derating**

<https://support.industry.siemens.com/cs/ww/en/ps/3RP2576-1NW30/manual>





last modified:

7/30/2020 