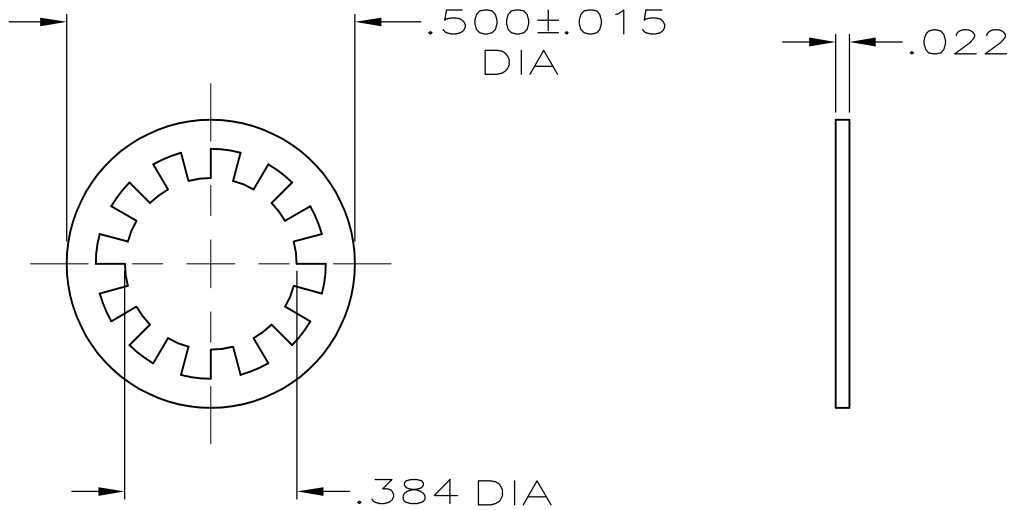


REVISIONS

P	LTR	DESCRIPTION	DATE	DWN	APVD
	C1	PER ECO-15-014039	18NOV2015	RZ	RS

- 1 BRIGHT NICKEL PLATED, QQ-N-290
- 2 SILVER PLATED, QQ-S-365
- 3 329492 OBSOLETE AND REPLACED BY 9-329492-0.




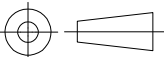
FINISH	MATERIAL	PART NUMBER
2	STAINLESS STEEL QQ-S-766	9-329492-0
1	STAINLESS STEEL QQ-S-766	1-329492-1
<del>2</del>	<del>STAINLESS STEEL QQ-S-766</del>	<del>329492</del>

RELEASED FOR PUBLICATION

ALL RIGHTS RESERVED.

THIS DRAWING IS UNPUBLISHED.

© COPYRIGHT - By -

DIMENSIONS: INCHES	DWN J.DAVIS	4/JAN/95	MATERIAL	-	FINISH	-
	CHK G.MICHAEL	6/JAN/94	 TE Connectivity			
TOLERANCES UNLESS OTHERWISE SPECIFIED:	APVD G.MICHAEL	6/JAN/94				
0 PLC ± -	PRODUCT SPEC		NAME			
1 PLC ± -	-		LOCKWASHER			
2 PLC ± -	APPLICATION SPEC		SIZE	CAGE CODE	DRAWING NO	RESTRICTED TO
3 PLC ± .008	-		A4	00779	C-329492	-
4 PLC ± -	WEIGHT		CUSTOMER DRAWING			
ANGLES ± -	-		SCALE	1:1	SHEET	1 OF 1
			REV C1			