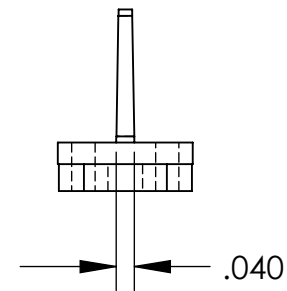
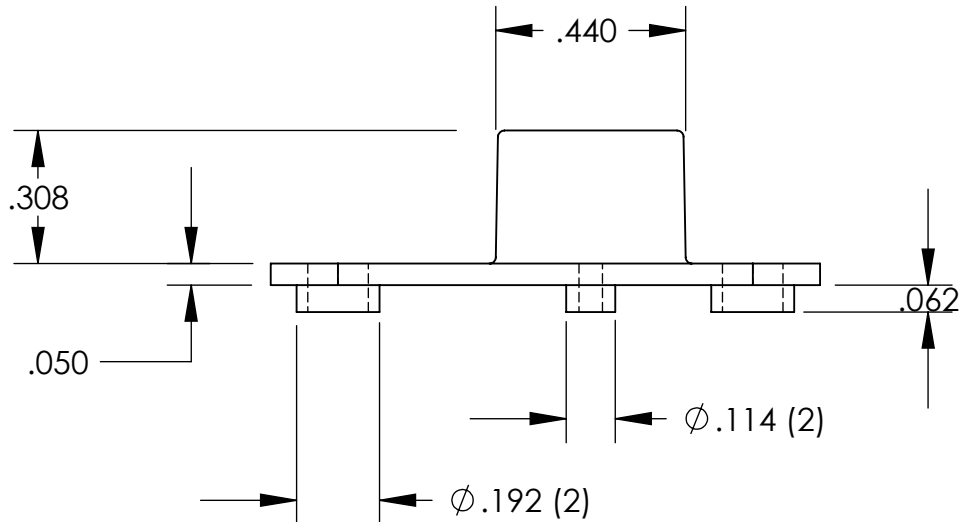
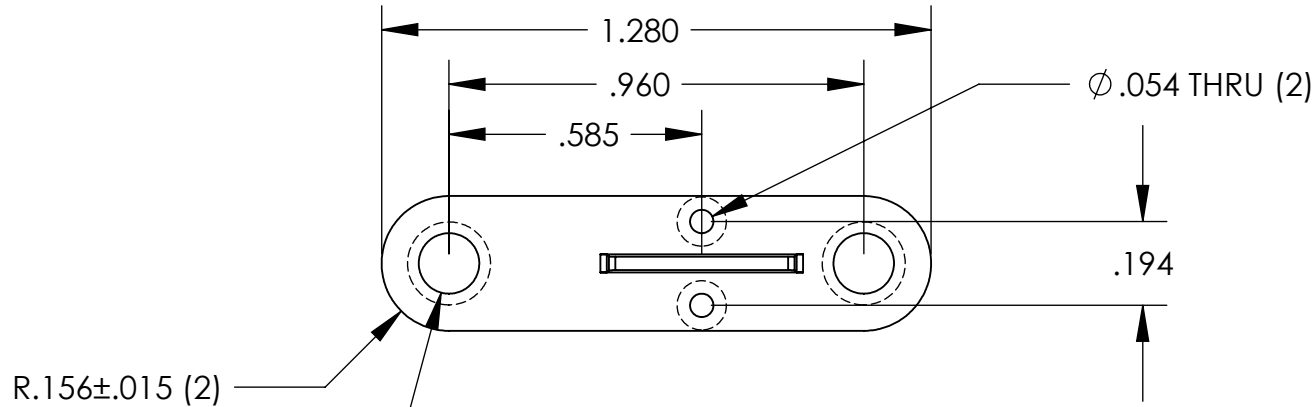


UNCONTROLLED DOCUMENT



TOLERANCES UNLESS NOTED

- $\pm .005$ ON DIMENSIONS THRU .625
- $\pm .008$ ON DIMENSIONS .626 THRU 1.000
- $\pm .010$ ON DIMENSIONS 1.001 THRU 1.500
- $\pm .015$ ON DIMENSIONS LARGER THAN 1.500
- $\pm .015$ ON FRACTIONAL DIMENSIONS

WE RESERVE THE RIGHT TO DISCONTINUE ITEMS, CHANGE SPECIFICATIONS OR DESIGN AT ANY TIME WITHOUT NOTICE AND WITHOUT INCURRING ANY OBLIGATIONS

PROPERTY OF MICRO PLASTICS INC.

CATALOG DRAWING
PTI-2-H FOR TO-66
MICRO P/N 20PTI2HD
DWG. # 20PTI2HD
FILE SERVER\ENG\WEB

MATERIAL: 30% GLASSFILLED FLAME RETARDANT POLYESTER

DATE

SCALE
2.25:1

DSB