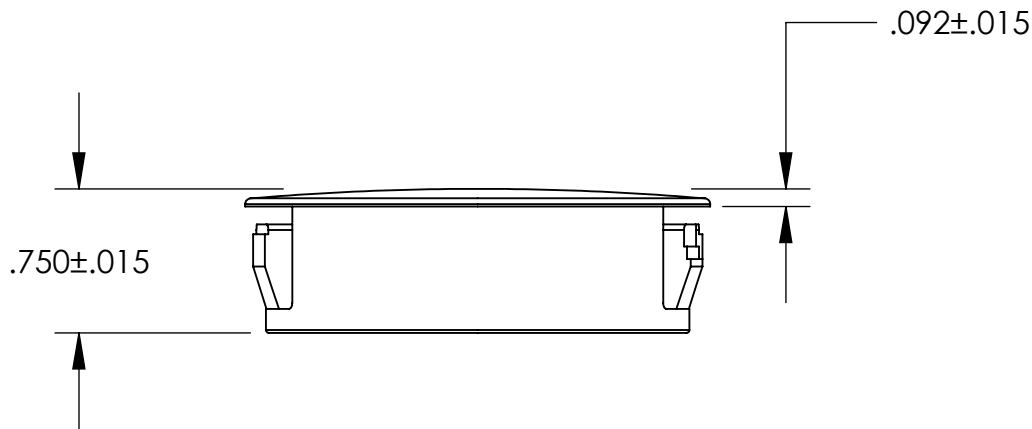
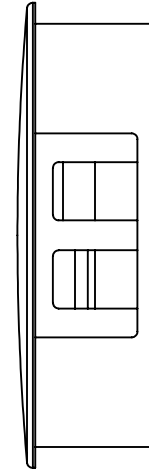
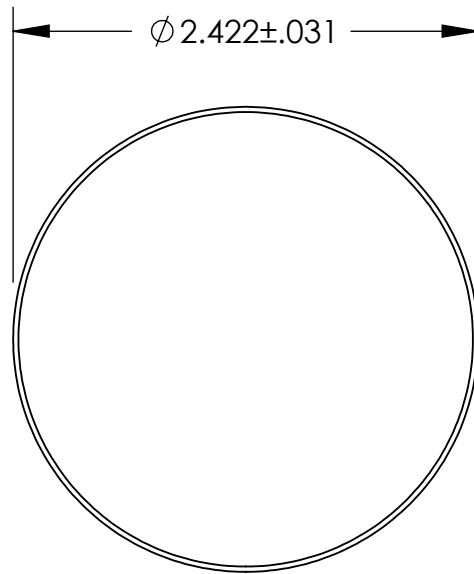


UNCONTROLLED DOCUMENT

NOTES:  
HOLE SIZE: 2.250  
MAXIMUM PANEL THICKNESS: .250



TOLERANCES UNLESS NOTED

- ±.005 ON DIMENSIONS THRU .625
- ±.008 ON DIMENSIONS .626 THRU 1.000
- ±.010 ON DIMENSIONS 1.001 THRU 1.500
- ±.015 ON DIMENSIONS LARGER THAN 1.500
- ±.015 ON FRACTIONAL DIMENSIONS

WE RESERVE THE RIGHT  
TO DISCONTINUE ITEMS,  
CHANGE SPECIFICATIONS  
OR DESIGN AT ANY TIME  
WITHOUT NOTICE AND  
WITHOUT INCURRING  
ANY OBLIGATIONS

PROPERTY OF  
**MICRO PLASTICS INC.**

CATALOG DRAWING  
LOCKING HOLE PLUG  
MICRO P/N 62MP2250  
DWG. # 62MP2250  
FILE SERVER\ENG\WEB

MATERIAL: HEAT STABILIZED NYLON  
BLACK

|      |              |           |
|------|--------------|-----------|
| DATE | SCALE<br>1:1 | <b>TA</b> |
|------|--------------|-----------|