

PART NAME: BALL KNOB SCALE: 1:1 DATE: 5/25/93 DR. BY HD

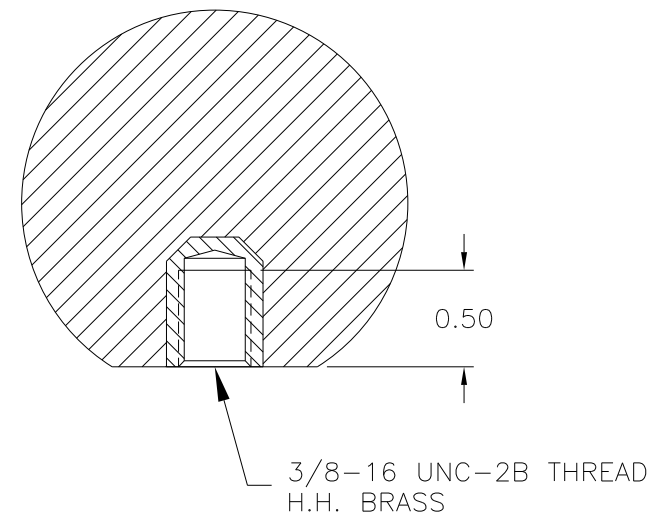
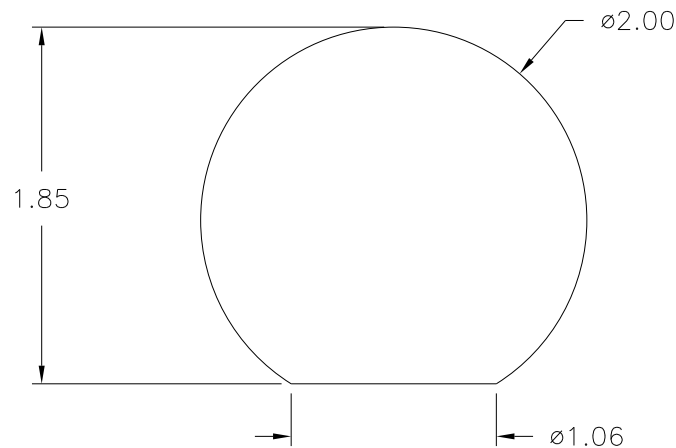
DAVIES MOLDING COMPANY
CAROL STREAM, ILLINOIS 60188

P/N 0155-A

THIS DRAWING IS THE PROPERTY OF DAVIES MOLDING COMPANY, IS SUBMITTED SOLELY AS A DESIGN OR ENGINEERING PROJECT.
WE ACCEPT NO RESPONSIBILITY WHATSOEVER FOR THE PRACTICAL APPLICATION OF THE PIECES MADE TO THIS DESIGN.

(A)

NOTE :
(1) PARTING LINE TO BE BUFFED AND POLISHED.



(A)

MATERIAL: PHENOLIC
COLOR: BLACK

TOLERANCES: UNLESS OTHERWISE SPECIFIED	DO NOT SCALE DRAWING			
DECIMALS: X.XXX \pm .005 X.XX \pm .015	MM: X.XX \pm 0.15MM X.X \pm 0.4MM	A	REMOVED TOOLBOX, "2311 PLENCO" ON MATERIAL CALL-OUT, & INSERT P/N	JAM 3/20/09
FRACTIONS \pm 1/64	ANG. \pm 1°	CHANGES		