

PART NAME: KNOB SCALE: 1:1 DATE: 3/22/96 DR. BY HD

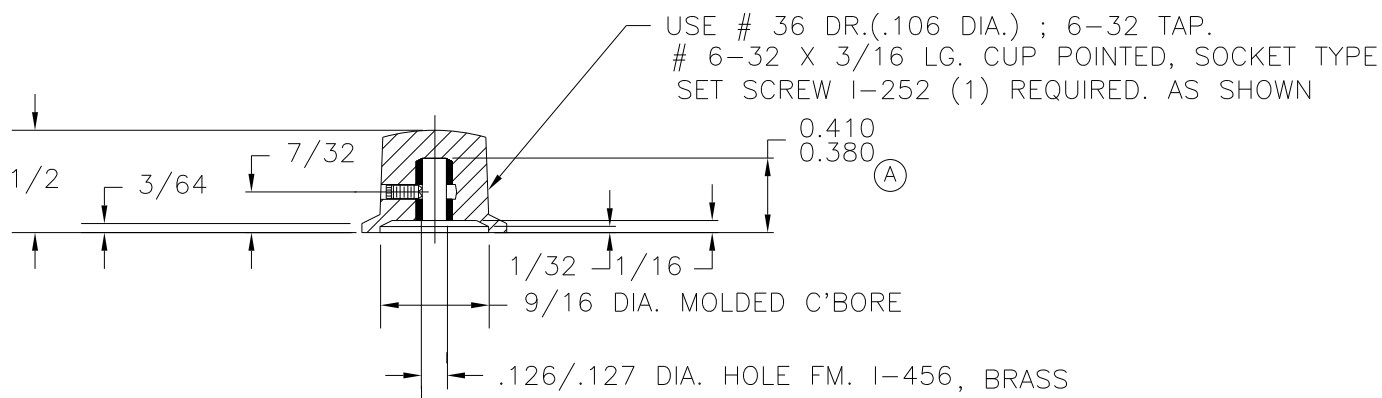
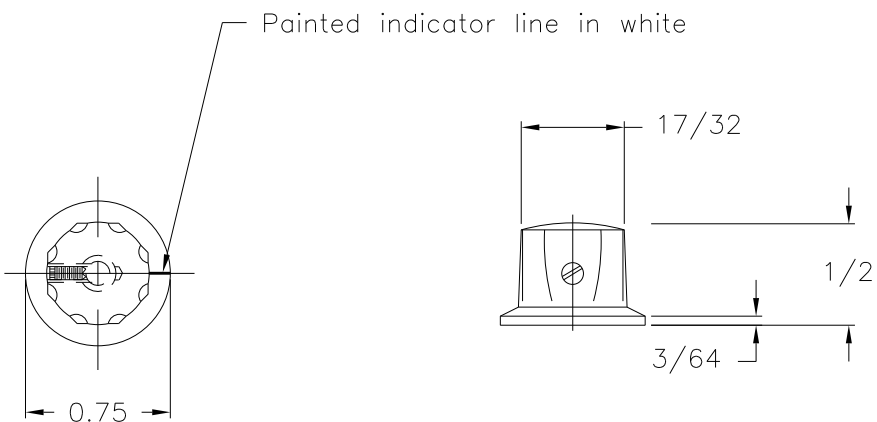
DAVIES MOLDING COMPANY
CAROL STREAM, ILLINOIS 60188

P/N 1910EL

THIS DRAWING IS THE PROPERTY OF DAVIES MOLDING COMPANY, IS SUBMITTED SOLELY AS A DESIGN OR ENGINEERING PROJECT. WE ACCEPT NO RESPONSIBILITY WHATSOEVER FOR THE PRACTICAL APPLICATION OF THE PIECES MADE TO THIS DESIGN.

BASE PART 1910-05

SET SCREW I0252



MATERIAL: G.P. PHENOLIC (B11)
COLOR: BLACK

TOLERANCES: UNLESS OTHERWISE SPECIFIED	DO NOT SCALE DRAWING				
DECIMALS: X.XXX ± .005 X.XX ± .015	MM: X.XX ± 0.15MM X.X ± 0.4MM	A	WAS 13/32	JAM	3/16/12
FRACTIONS ± 1/64	ANG. ± 1°	-	UPDATED/HAD TOOLBOX	EV.	8/14/02
CHANGES					