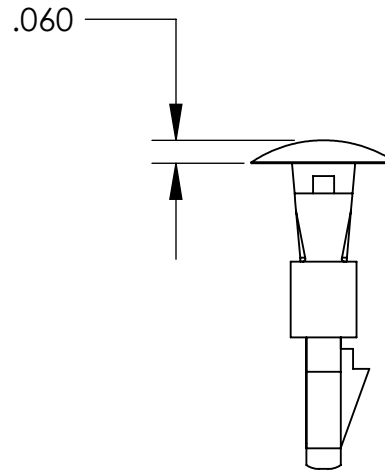
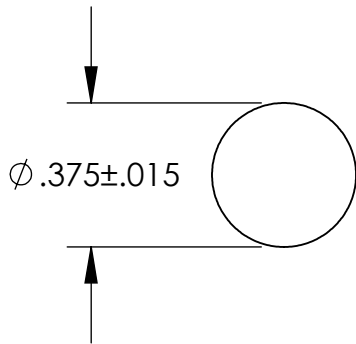


**UNCONTROLLED DOCUMENT**



CHASSIS END SNAPS  
 INTO A .187 HOLE  
 PANEL THICKNESS  
 IS .059 / .063

BOARD END SNAPS  
 INTO A .125 HOLE  
 PANEL THICKNESS  
 IS .059 / .063

.375  
 $.343 \pm .015$

**TOLERANCES UNLESS NOTED**

- $\pm .005$  ON DIMENSIONS THRU .625
- $\pm .008$  ON DIMENSIONS .626 THRU 1.000
- $\pm .010$  ON DIMENSIONS 1.001 THRU 1.500
- $\pm .015$  ON DIMENSIONS LARGER THAN 1.500
- $\pm .015$  ON FRACTIONAL DIMENSIONS

WE RESERVE THE RIGHT  
 TO DISCONTINUE ITEMS,  
 CHANGE SPECIFICATIONS  
 OR DESIGN AT ANY TIME  
 WITHOUT NOTICE AND  
 WITHOUT INCURRING  
 ANY OBLIGATIONS

PROPERTY OF  
**MICRO PLASTICS INC.**

CATALOG DRAWING  
 REVERSE LOCKING CB SUPPORT  
 MICRO P/N 27RV00375  
 DWG. # 27RV00375  
 FILE SERVER\ENG\WEB

MATERIAL: NYLON 6/6

DATE

SCALE  
 2:1

**SD**