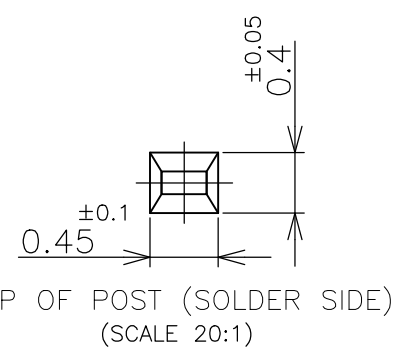
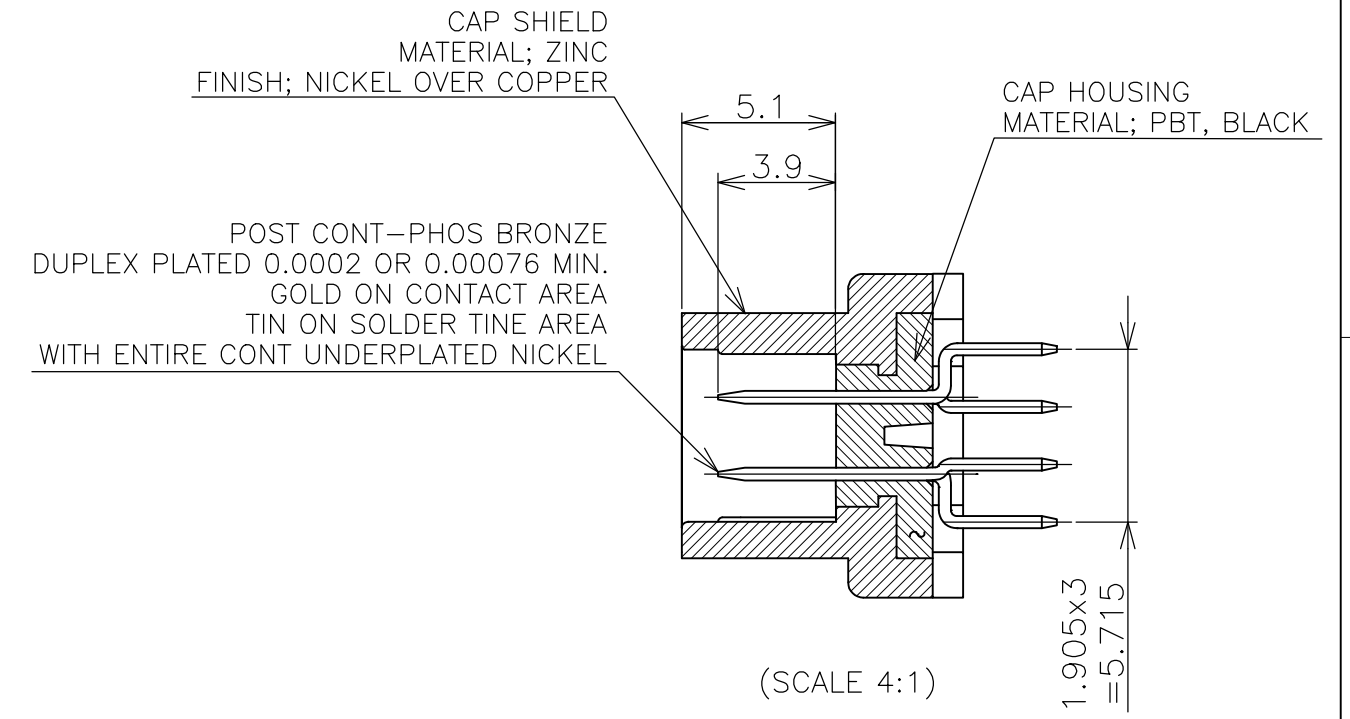
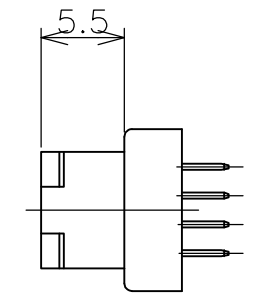
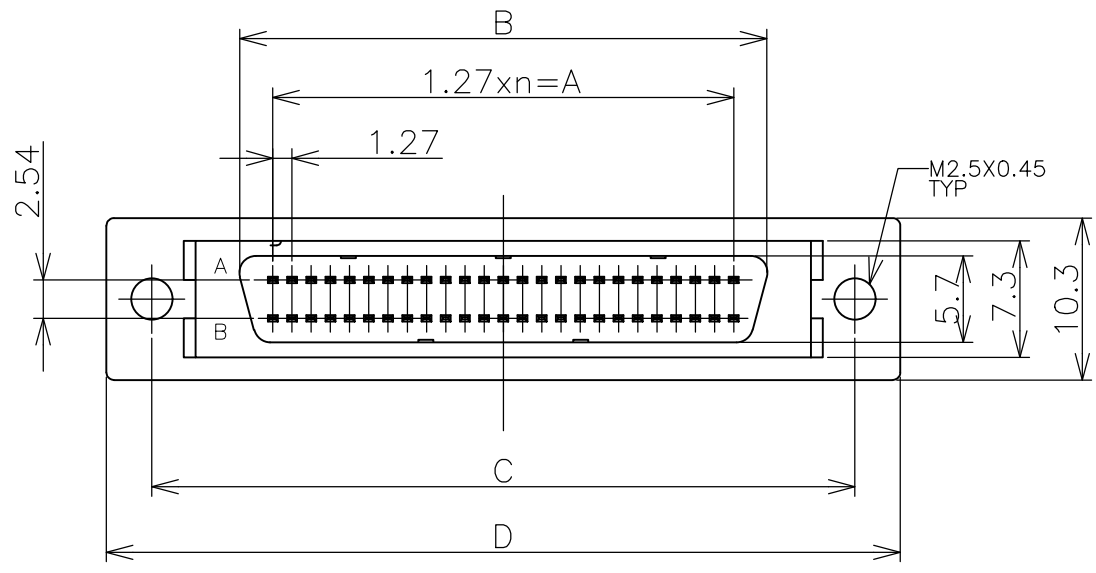
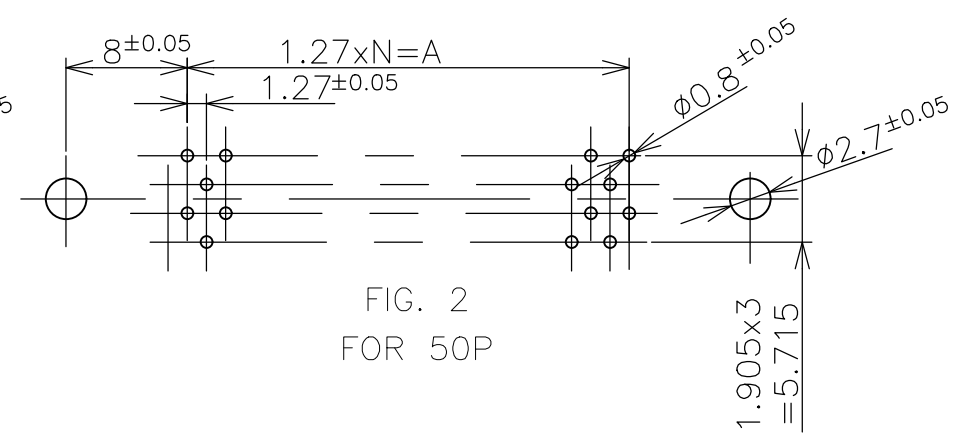
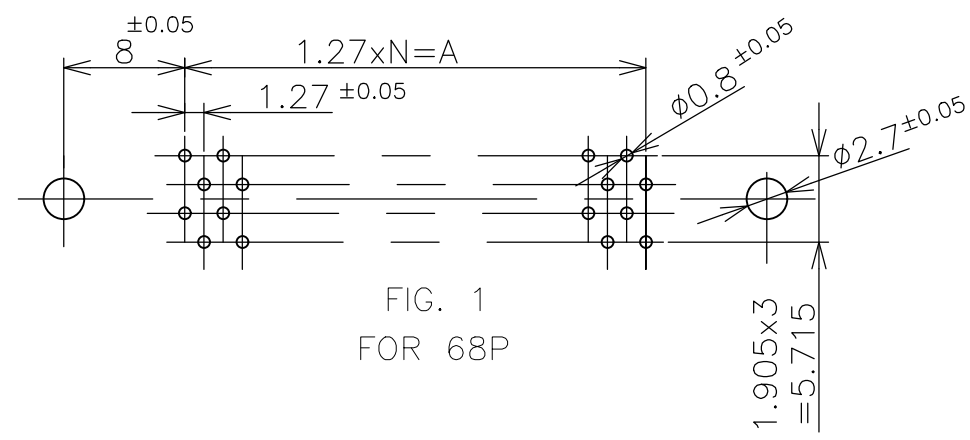
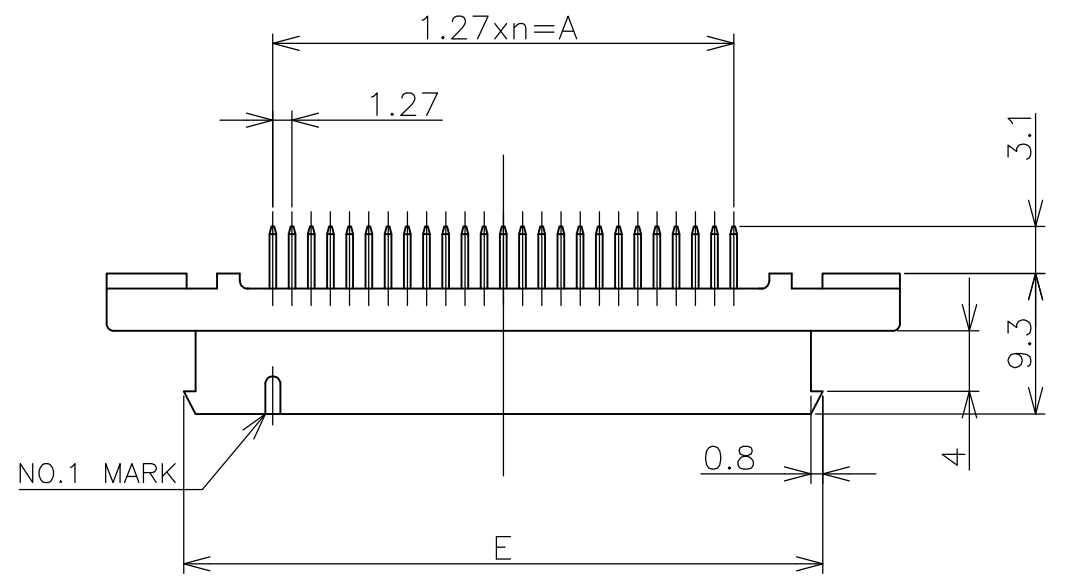


THIS DRAWING IS UNPUBLISHED. RELEASED FOR PUBLICATION .MAY 1989
 © COPYRIGHT 1989 By - ALL RIGHTS RESERVED.

P	LTR	DESCRIPTION	DATE	DWN	APVD
E		REVISED PER ECO-18-017336	22MAR2019	AP	DG



	68	33	41.91	46.28	57.9	63.9	53.71	0.00076 MIN	2-5174339-5
OBSOLETE	50	24	30.48	34.85	46.5	52.5	42.28		2-5174339-4
	68	33	41.91	46.28	57.9	63.9	53.71	0.0002 MIN	5174339-5
OBSOLETE	50	24	30.48	34.85	46.5	52.5	42.28		5174339-4
	POS	N	A	B	C	D	E	GOLD THK	PART NO.

- P.C BOARD HOLE LAY-OUT AS SHOWN FIG.1 & 2.
- USED SCREW; M2.5x0.45 PANHEAD SCREW.

GENERAL TOLERANCE
 10 ≥ : ±0.2
 30 ≥ > 10: ±0.25
 100 ≥ > 30: ±0.3
 ANGLES: ±3°

THIS DRAWING IS A CONTROLLED DOCUMENT.

DIMENSIONS: mm

TOLERANCES UNLESS OTHERWISE SPECIFIED:
 0 PLC ± -
 1 PLC ± -
 2 PLC ± -
 3 PLC ± -
 4 PLC ± -
 ANGLES ± -
 FINISH ± -

MATERIAL: SEE ABOVE

DWN: Roy hao 17Aug04
 CHK: Steven Yao 17Aug04
 APVD: I.Enomoto 17Aug04

PRODUCT SPEC: 108-1228

APPLICATION SPEC

WEIGHT: 0.000000

CUSTOMER DRAWING

STE TE Connectivity

NAME: CAP HEADER (VERTICAL/M2.5) AMPLIMITE .050 SERIES II CONN. TYPE B

SIZE: A3 CAGE CODE: 00779 DRAWING NO: C-5174339 RESTRICTED TO: -

SCALE: 1:1 SHEET: 1 OF 1 REV: E