

1

2

3

4

5

6

7

A

B

C

D

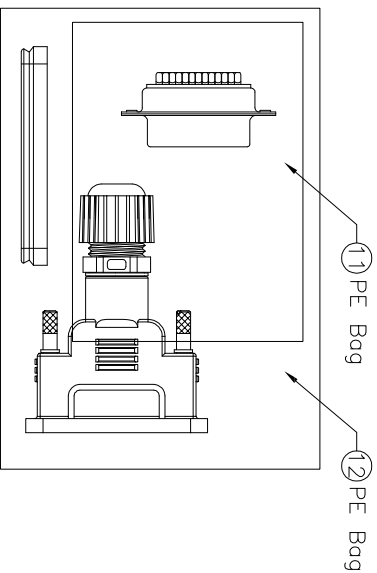
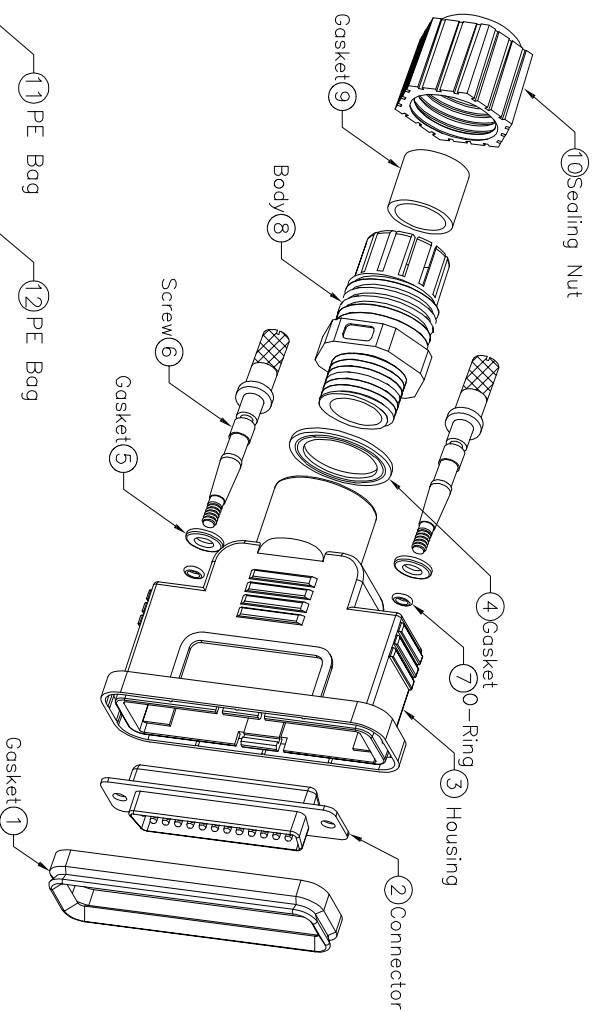
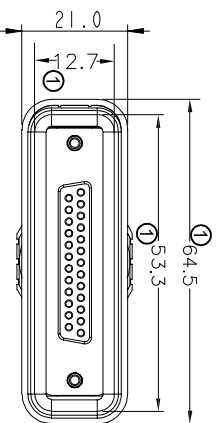
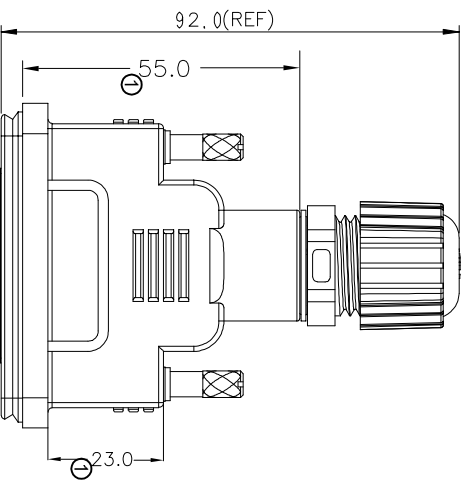
E

F

G

H

ROHS compliant
Unit: mm



- NOTES:**
1. Waterproof rate: IP67
 2. Gasket: EPDM Black
 3. Housing: ABS Black
 4. Screw: Brass
 5. O-ring: Silicone Clear
 6. Body: Nylon Black
 7. Sealing Nut: Nylon Black
 8. Connector: D-Sub 25Pin Male, pin in full gold plated
 9. Seals for Cable OD: $\phi 6.0\text{mm}-\phi 10.0\text{mm}$
 10. One Set Unassembled in One Zipper Bag

Scale	Free
TOLERANCE	
UNIT	±0.5
DIM	TOL
Angle	TOL

Id.	Modification	Date	Name
①	Cancel "A" logo&correct dimensions	03.04.2018	Amy
②	Drawn	22.04.2014	Joanna

Date	Name
Drawn 22.04.2014	Joanna
Approved 03.04.2018	Amy

ASSMANN
components

Customer-No.	Drawing-No.	Replace
ASSMANN WSW-No. A-DS25-HOOD-WP	ASS 6260 CO	rev01
		Sheet

1

2

3

4

5

6

7

A

B

C

D

E

F

G

H