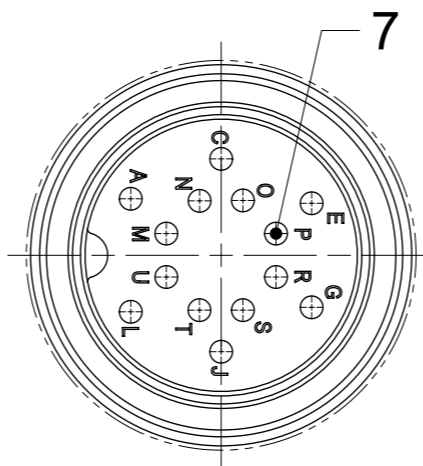


TABLE 1

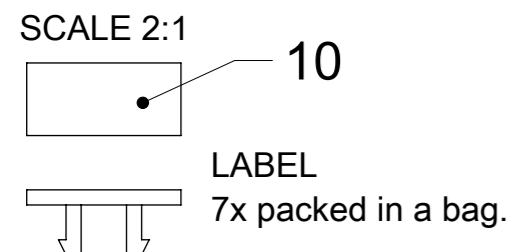
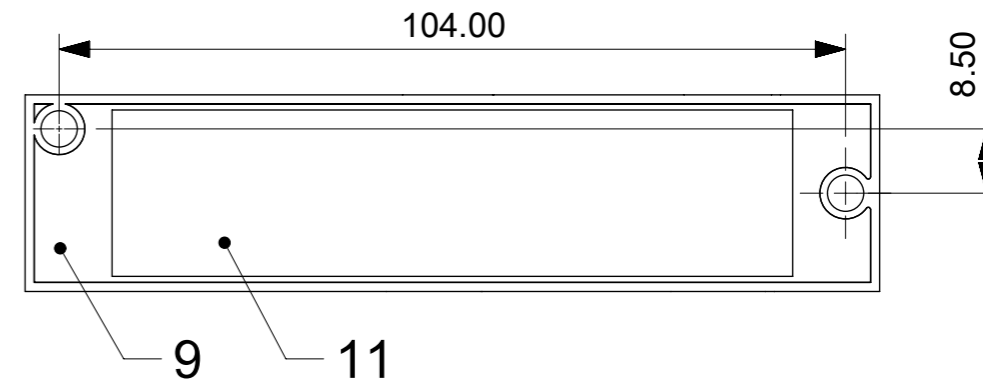
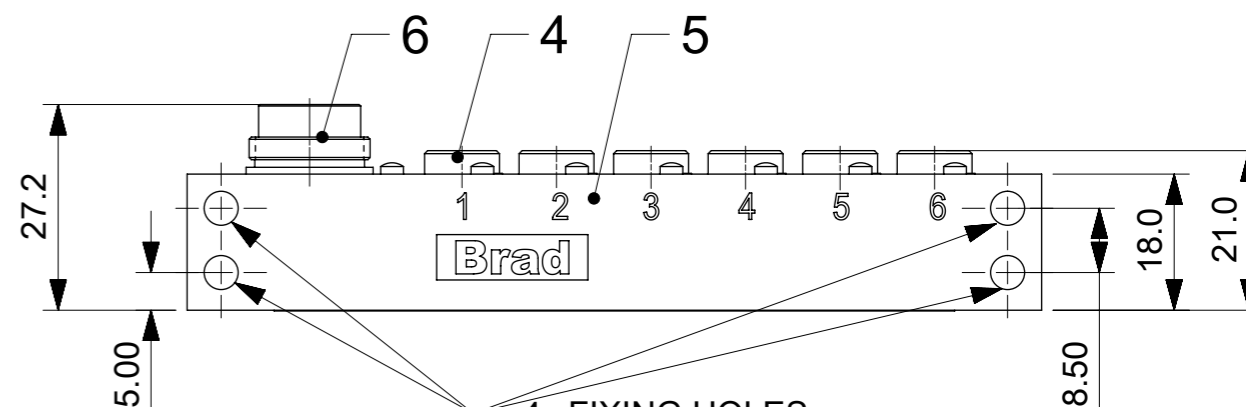
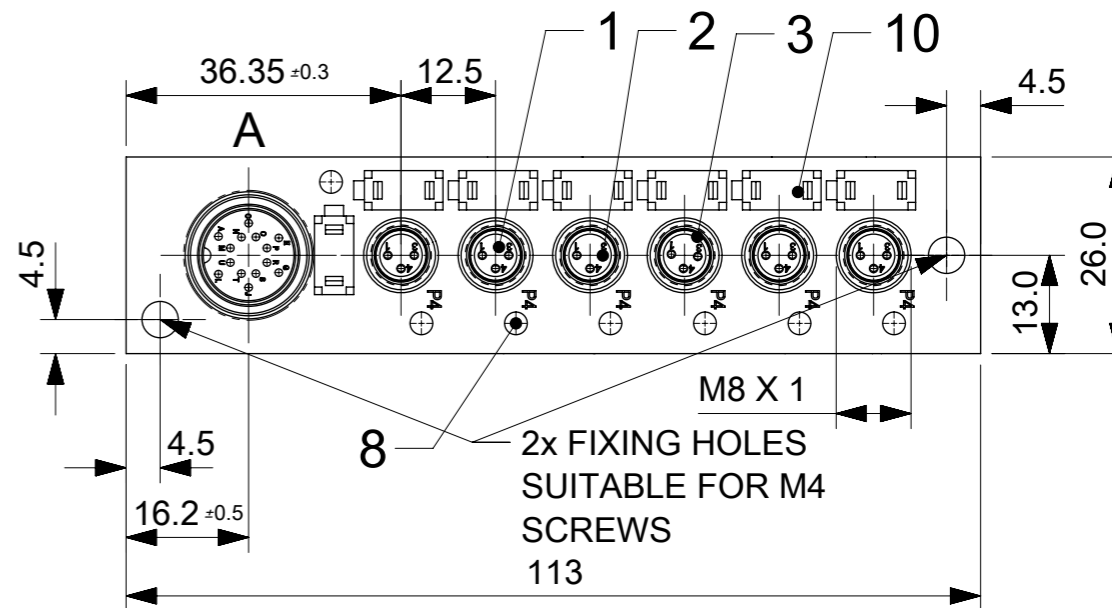
MOLEX PN	ENG. NO.	LED
1202470061	BNB601P-FBC	YES

TABLE 2 BILL OF MATERIAL

ITEM	DESCRIPTION	MATERIAL	FINISH
1	INSERT	TPU	BLACK
2	CONTACT	COPPER ALLOY	GOLD OVER NICKEL
3	O-RING	VITON	RED
4	RECEPTACLE SHELL	BRASS	NICKEL PLATED
5	HOUSING	PBT	BLACK
6	SHELL	BRASS	NICKEL PLATED
7	CONTACT	COPPER ALLOY	GOLD OVER NICKEL
8	LED	NO LED = PA	BLACK
		WITH LED = PA	TRANSPARENT
9	RESIN	EPOXY	TRANSPARENT
10	LABEL	ABS	WHITE
11	LABEL ADHESIVE	PE	WHITE

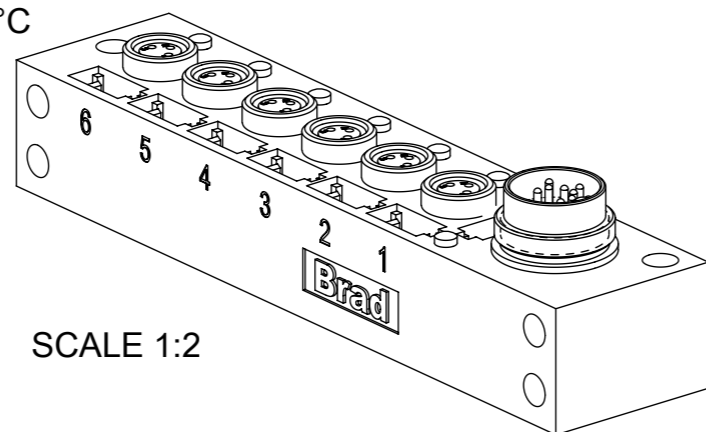


DETAIL A
SCALE 3:1



GENERAL CHARACTERISTICS:

NOMINAL VOLTAGE: 24 V DC
 RATED CURRENT: 2 A PER PORT / 6 A MAX: TOTAL
 IP DEGREE OF PROTECTION: IP 67
 TEMPERATURE RANGE: -25°C to + 85°C

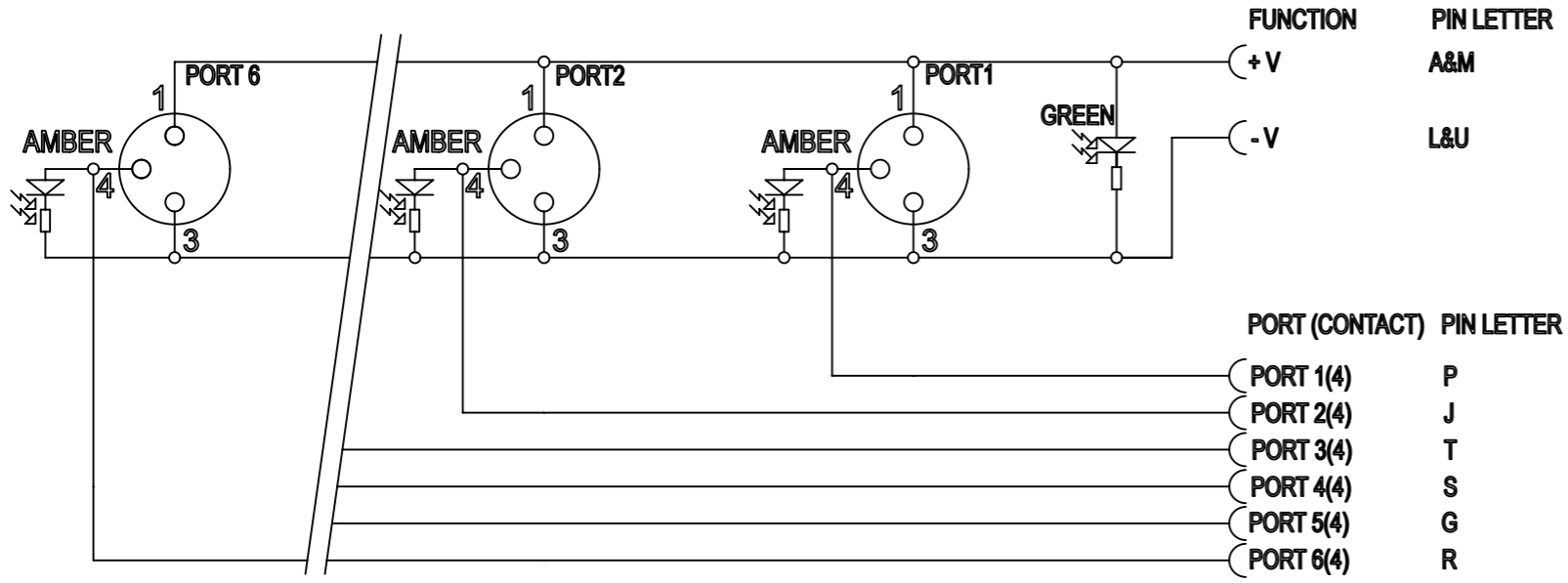


SCALE 1:2

THIS DRAWING CONTAINS INFORMATION THAT IS PROPRIETARY TO MOLEX INCORPORATED AND SHOULD NOT BE USED WITHOUT WRITTEN PERMISSION

EC DESCRIPTION		QUALITY SYMBOLS		GENERAL TOLERANCES (UNLESS SPECIFIED)		DIMENSION UNITS		SCALE	
EC NO: 100800	2015/07/20	AAHLERS	2015/07/23	RSILLER	2015/07/23	mm	1:1		
DRWN BY: AAHLERS	2015/07/23	CHK'D BY: RSILLER	2015/07/23	APPR BY: RSILLER	2015/07/23	DRWN BY: AAHLERS	DATE: 2015/07/20		
EC DESCRIPTION		QUALITY SYMBOLS		GENERAL TOLERANCES (UNLESS SPECIFIED)		DIMENSION UNITS		SCALE	
EC NO: 100800		2015/07/20		AAHLERS		1:1		PRODUCT CUSTOMER DRAWING	
DRWN BY: AAHLERS		2015/07/23		CHK'D BY: RSILLER		2015/07/23		SERIES: 120247	
APPR BY: RSILLER		2015/07/23		DATE: 2015/07/23		DRAWING SIZE: A3		MATERIAL NUMBER: SEE TABLE 1	
THIRD ANGLE PROJECTION		DRAWING SIZE: A3		SERIES: 120247		CUSTOMER: GENERAL MARKET		DOCUMENT NUMBER: 1202470061	
THIRD ANGLE PROJECTION		DRAWING SIZE: A3		SERIES: 120247		CUSTOMER: GENERAL MARKET		DOC TYPE: PSD	
THIRD ANGLE PROJECTION		DRAWING SIZE: A3		SERIES: 120247		CUSTOMER: GENERAL MARKET		DOC PART: 000	
THIRD ANGLE PROJECTION		DRAWING SIZE: A3		SERIES: 120247		CUSTOMER: GENERAL MARKET		SHEET NUMBER: 1 OF 2	

Wiring Diagram Single PNP



THIS DRAWING CONTAINS INFORMATION THAT IS PROPRIETARY TO MOLEX INCORPORATED AND SHOULD NOT BE USED WITHOUT WRITTEN PERMISSION

EC DESCRIPTION EC NO: 100800 DRWN: AAHLERS CHK'D: RSILLER APPR: RSILLER	2015/07/20 2015/07/23 2015/07/23	QUALITY SYMBOLS ∇ = 0 ∇ = 0 ∇ = 0 ▼ = 0 ∇ = 0 ☒ = 0 ■ = 0 ∇ = 0	GENERAL TOLERANCES (UNLESS SPECIFIED) ANGULAR TOL ± ° 4 PLACES ± 3 PLACES ± 2 PLACES ± 0.2 1 PLACE ± 0.3 0 PLACES ± 0.5 DRAFT WHERE APPLICABLE MUST REMAIN WITHIN DIMENSIONS	DIMENSION UNITS mm	SCALE 1:1				
	DRWN BY: AAHLERS DATE: 2015/07/20			MPIS M8 PNP NOS 3P 6PT 10P M16 BK SINGLE					
	CHK'D BY: RSILLER DATE:						PRODUCT CUSTOMER DRAWING		
	APPR BY: RSILLER DATE: 2015/07/23			SERIES 120247	MATERIAL NUMBER SEE TABLE 1	CUSTOMER GENERAL MARKET			
	A			REV	DRAFTING SIZE A3		THIRD ANGLE PROJECTION		DOCUMENT NUMBER 1202470061