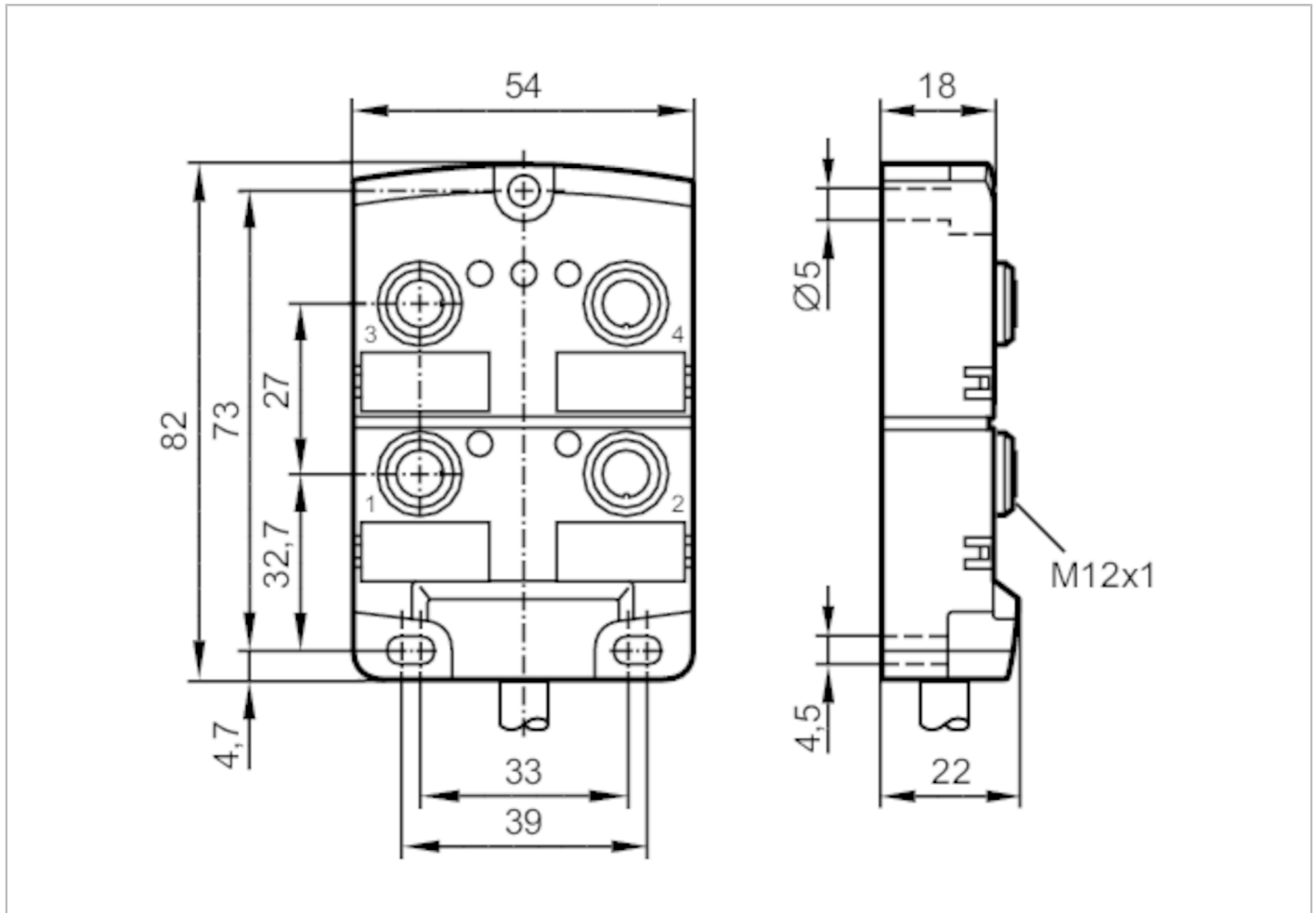


# EBC027



## Splitter box

ZDO4H055MSS0010H07



Application	
Special feature	Free from silicone; Halogen-free; Gold-plated contacts; Drag chain suitability
Free from silicone	yes
Electrical data	
Operating voltage [V]	10...30 DC; ("supply class 2" to cULus)
Protection class	II
Max. current load per module/slot [A]	4
Max. current load total [A]	12
Outputs	
Electrical design	PNP
Operating conditions	
Ambient temperature [°C]	-25...80
Ambient temperature (moving) [°C]	-5...60
Protection	IP 67; IP 68

# EBC027



## Splitter box

ZDO4H055MSS0010H07

Mechanical data		
Weight	[g]	970
Dimensions	[mm]	22 x 54 x 82
Materials		PA
Moulded-body material		PA
Number of ports splitter box		4
Connector type		M12
Drag chain suitability		yes
Drag chain suitability	bending radius for flexible use	min. 10 x cable diameter
	bending cycles	> 2 Mio.

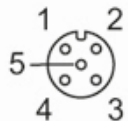
Displays / operating elements		
Display	switching status	4 x LED, yellow
	operation	1 x LED, green

Accessories		
Items supplied	Protective caps: 2	
	labels: 4	

Remarks		
Pack quantity	1 pcs.	

Electrical connection		
Cable: 10 m, PUR, Halogen-free, black, Ø 7.5 mm; 4 x 0.34 mm <sup>2</sup> (43 x Ø 0.1 mm ) + 3 x 1 mm <sup>2</sup> (55 x Ø 0.15 mm )		

Electrical connection - slot		
Connector: 4 x M12; Moulded body: PA; Contacts: gold-plated; Tightening torque: 0.8...1.5 Nm		

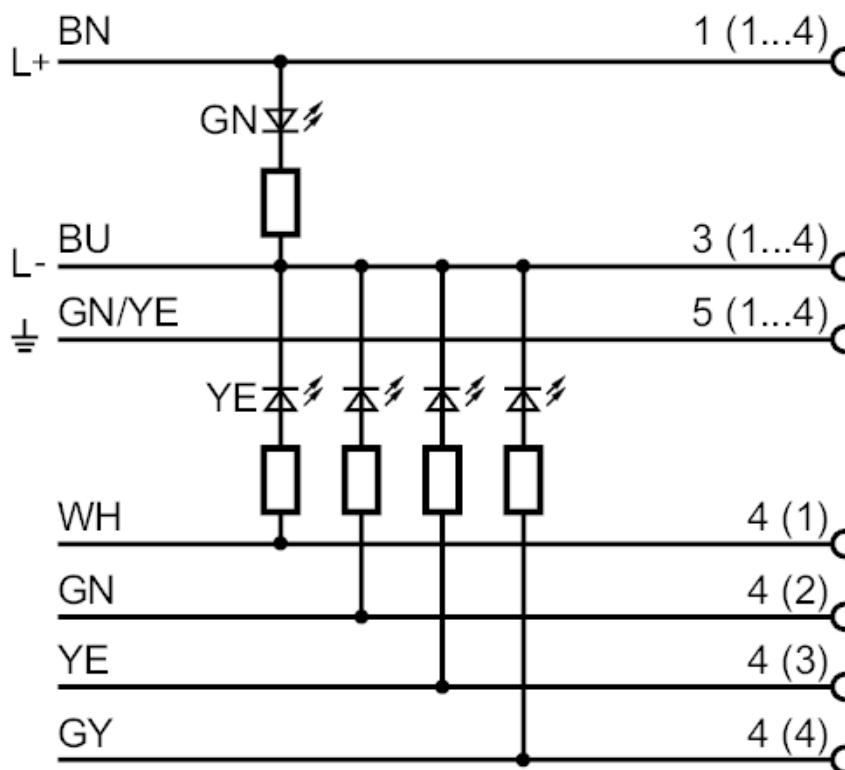




## Splitter box

ZDO4H055MSS0010H07

### Connection



#### Core colours :

BN =	brown
BU =	blue
GN =	green
GN/YE =	green/yellow
GY =	grey
WH =	white
YE =	yellow