

# Valve connectors - SACC-VB-5CON-M16/AD-2L 24V - 1457908

Please be informed that the data shown in this PDF Document is generated from our Online Catalog. Please find the complete data in the user's documentation. Our General Terms of Use for Downloads are valid (<http://phoenixcontact.com/download>)



Valve connectors, Universal, 5-position, Valve connector AD (pressure switch), with 2 LEDs, Screw connection, cable gland M16, external cable diameter 6 mm ... 8 mm



## Key Commercial Data

Packing unit	1 pc
GTIN	
GTIN	4046356630689

## Technical data

### Dimensions

External diameter	6 mm ... 8 mm
Central screw valve connector	M3 x 37,5

### Ambient conditions

Ambient temperature (operation)	-25 °C ... 60 °C (valve plug)
	-25 °C ... 60 °C (valve plug)
Degree of protection	IP65

### General

Note	NOTE: Observe the permissible bending radii when laying conductors, since the degree of protection may be put in jeopardy if the bending forces are too high. Alleviate mechanical loads upstream of the connector, e.g. by using cable ties.
Rated current at 40°C	1.5 A
Rated voltage	24 V AC
	24 V DC
Number of positions	5
Insulation resistance	> 2 GΩ
Standards/regulations	Valve connector EN 175301-803

# Valve connectors - SACC-VB-5CON-M16/AD-2L 24V - 1457908

## Technical data

### General

Signal type/category	Universal
Status display	2 LEDs
Protective circuit/component	unwired
Overvoltage category	II
Degree of pollution	3
Connection method	Screw connection
Conductor cross section	0.25 mm <sup>2</sup> ... 1.5 mm <sup>2</sup>
Conductor cross section AWG	24 ... 16
Insertion/withdrawal cycles	50 (Valve connector)
Torque	1.8 Nm ±0.2 Nm (Pressure screw)
	0.4 Nm ±0.1 Nm (Central screw)
	0.2 Nm ±0.1 Nm (Contact screw)

### Material

Flammability rating according to UL 94	HB
Valve plug contact material	CuZn
Valve plug contact surface material	CuSn
Material housing valve plug	PA
Sealing material	NBR

### Cable

Standards/specifications	Valve connector EN 175301-803
--------------------------	-------------------------------

### Standards and Regulations

Standards/specifications	Valve connector EN 175301-803
--------------------------	-------------------------------

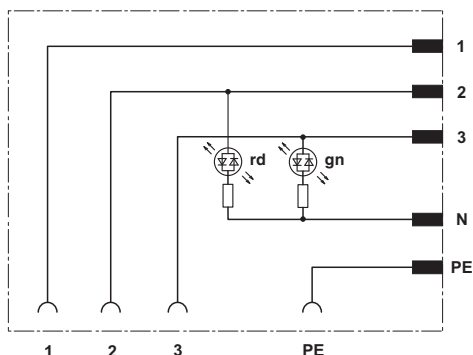
### Environmental Product Compliance

REACH SVHC	Lead 7439-92-1
China RoHS	Environmentally Friendly Use Period = 25;
	For details about hazardous substances go to tab "Downloads", Category "Manufacturer's declaration"

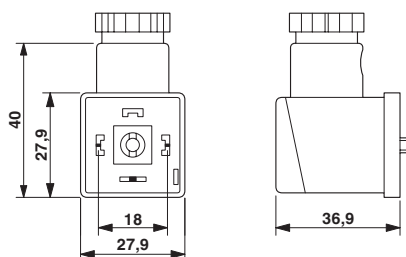
### Drawings

# Valve connectors - SACC-VB-5CON-M16/AD-2L 24V - 1457908

Circuit diagram



Dimensional drawing



## Classifications

eCl@ss

eCl@ss 10.0.1	27440105
eCl@ss 11.0	27440105
eCl@ss 4.0	27140800
eCl@ss 4.1	27140800
eCl@ss 5.0	27143400
eCl@ss 5.1	27143400
eCl@ss 6.0	27279200
eCl@ss 7.0	27440104
eCl@ss 9.0	27440105

ETIM

ETIM 4.0	EC002061
ETIM 6.0	EC002925

UNSPSC

UNSPSC 6.01	31251501
UNSPSC 7.0901	31251501
UNSPSC 11	31251501
UNSPSC 12.01	31251501
UNSPSC 13.2	32151909
UNSPSC 19.0	31251501
UNSPSC 20.0	31251501
UNSPSC 21.0	31251501

## Approvals

Approvals

## Valve connectors - SACC-VB-5CON-M16/AD-2L 24V - 1457908

### Approvals

Approvals


EAC / EAC


---

Ex Approvals

---

### Approval details

EAC		RU C- DE.AI30.B.01102
-----	---	--------------------------

EAC		RU C- DE.BL08.B.00511
-----	---	--------------------------

### Accessories

Accessories

Cable by the meter

Cable reel - SAC-5P-100,0-PUR/0,5 - 1457403



By the meter, Cable reel, PUR halogen-free, black-gray RAL 7021, 5-wire, color single wire: Black 1, black 2, black 3, black 4, green/yellow, cable length: 100 m

---

Phoenix Contact 2022 © - all rights reserved  
<http://www.phoenixcontact.com>

PHOENIX CONTACT GmbH & Co. KG

Flachsmarktstr. 8

32825 Blomberg

Germany

Tel. +49 5235 300

Fax +49 5235 3 41200

<http://www.phoenixcontact.com>