

Distributor - SAC-ASI-J-Y-N-M12FS - 1405619


Please be informed that the data shown in this PDF Document is generated from our Online Catalog. Please find the complete data in the user's documentation. Our General Terms of Use for Downloads are valid (<http://phoenixcontact.com/download>)



AS-Interface distributor with a high degree of protection, for a branch from one flat-ribbon conductor to one straight, A-coded, 2-pos. M12 socket



Key Commercial Data

Packing unit	1 pc
GTIN	 4 046356 754958
GTIN	4046356754958

Technical data

Ambient conditions

Degree of protection	IP65
	IP67
Ambient temperature (operation)	-25 °C ... 75 °C
Ambient temperature (storage/transport)	-25 °C ... 85 °C

General data

Rated current at 40°C	4 A
Rated voltage	≤ 32 V DC
Number of positions	2
Standards/regulations	M12 connector IEC 61076-2-101
Overvoltage category	III
Degree of pollution	3
Connection method	AS-i penetration technique

Characteristics head 1

Head type	Load center AS-i Screw locking
No. of positions (pin connector pattern)	2
Material (component)	CuSn (Contact)

Distributor - SAC-ASI-J-Y-N-M12FS - 1405619

Technical data

Characteristics head 1

	Ni/Au (Contact surface)
	PBT (Contact carriers)
	PBT (Housing)
	Stainless steel (Screw connection)
Torque	1.65 Nm (Locking screw)

Characteristics head 2

Head type	Socket straight M12
No. of positions (pin connector pattern)	2 (5)
Material (component)	CuSn (Contact)
	Ni/Au (Contact surface)
	TPE-U (Contact carriers)
	Zinc die-cast, nickel-plated (Screw connection)
Insertion/withdrawal cycles	≥ 100
Torque	0.4 Nm

Standards and Regulations

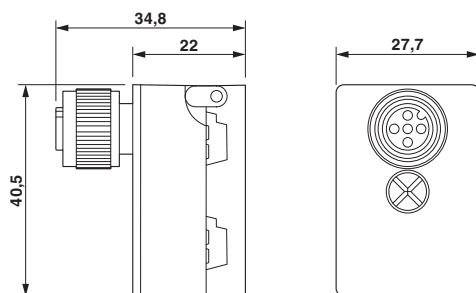
Standards/specifications	M12 connector IEC 61076-2-101
--------------------------	-------------------------------

Environmental Product Compliance

China RoHS	Environmentally friendly use period: unlimited = EFUP-e
	No hazardous substances above threshold values

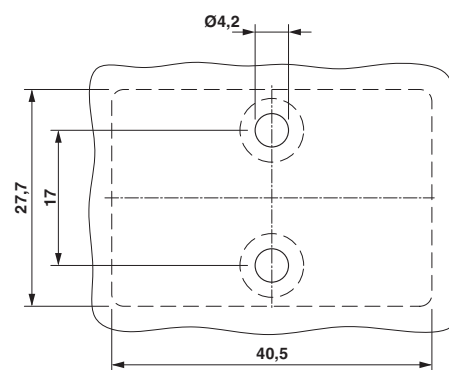
Drawings

Dimensional drawing



Distributor, AS-Interface

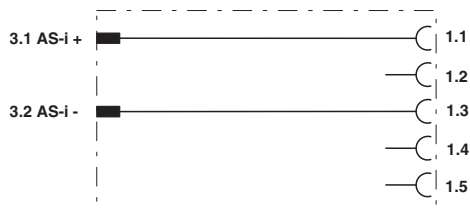
Dimensional drawing



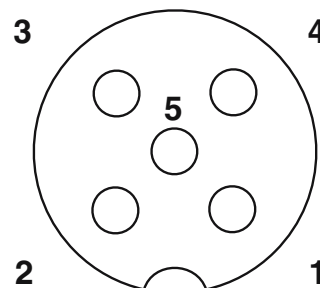
Distance and position of the mounting holes

Distributor - SAC-ASI-J-Y-N-M12FS - 1405619

Circuit diagram



Schematic diagram



Contact assignment of the AS-Interface distributor

Pin assignment M12, PIN 1: AS-i +, PIN 3: AS-i -, PIN 2,4,5: Not used

Classifications

eCl@ss

eCl@ss 10.0.1	27440106
eCl@ss 11.0	27440106
eCl@ss 4.0	27060700
eCl@ss 4.1	27060700
eCl@ss 5.0	27400200
eCl@ss 5.1	27250300
eCl@ss 6.0	27279200
eCl@ss 7.0	27440104
eCl@ss 9.0	27440106

ETIM

ETIM 3.0	EC000516
ETIM 4.0	EC002585
ETIM 6.0	EC002925
ETIM 7.0	EC002925

UNSPSC

UNSPSC 6.01	31261501
UNSPSC 7.0901	31261501
UNSPSC 11	31261501
UNSPSC 12.01	31261501
UNSPSC 13.2	31251501
UNSPSC 19.0	31251501
UNSPSC 20.0	31251501
UNSPSC 21.0	31251501

Approvals

Approvals

Distributor - SAC-ASI-J-Y-N-M12FS - 1405619


Approvals

Approvals

EAC

Ex Approvals

Approval details

EAC		RU C- DE.BL08.B.00511
-----	---	--------------------------

Accessories

Accessories

Plug for cable screw gland

Screw plug - PROT-M12 - 1680539



An M12 screw plug for the unoccupied M12 sockets of the sensor/actuator cable, boxes and flush-type connectors

Screwdriver tools

Screwdriver - SZK PH2 VDE - 1205163



Screwdriver, PH crosshead, VDE insulated, size: PH 2 x 100 mm, 2-component grip, with non-slip grip

Sensor/actuator cable

Sensor/actuator cable - SAC-4P-MS/ 0,3-186/FS SCO - 1555680



Sensor/actuator cable, 4-position, PUR, black-gray RAL 7021, Plug straight M12 SPEEDCON, coding: A, on Socket straight M12 SPEEDCON, coding: A, cable length: 0.3 m

Distributor - SAC-ASI-J-Y-N-M12FS - 1405619

Accessories

Sensor/actuator cable - SAC-4P-MS/ 0,5-186/FS SCO - 1555693



Sensor/actuator cable, 4-position, PUR, black-gray RAL 7021, Plug straight M12 SPEEDCON, coding: A, on Socket straight M12 SPEEDCON, coding: A, cable length: 0.5 m

Sensor/actuator cable - SAC-4P-MS/ 1,0-186/FS SCO - 1555703



Sensor/actuator cable, 4-position, PUR, black-gray RAL 7021, Plug straight M12 SPEEDCON, coding: A, on Socket straight M12 SPEEDCON, coding: A, cable length: 1 m

Sensor/actuator cable - SAC-4P-MS/ 2,0-186/FS SCO - 1555716



Sensor/actuator cable, 4-position, PUR, black-gray RAL 7021, Plug straight M12 SPEEDCON, coding: A, on Socket straight M12 SPEEDCON, coding: A, cable length: 2 m

Sensor/actuator cable - SAC-4P-MS/ 5,0-186/FS SCO - 1555729



Sensor/actuator cable, 4-position, PUR, black-gray RAL 7021, Plug straight M12 SPEEDCON, coding: A, on Socket straight M12 SPEEDCON, coding: A, cable length: 5 m

Sensor/actuator cable - SAC-4P-MS/10,0-186/FS SCO - 1555732



Sensor/actuator cable, 4-position, PUR, black-gray RAL 7021, Plug straight M12 SPEEDCON, coding: A, on Socket straight M12 SPEEDCON, coding: A, cable length: 10 m

Distributor - SAC-ASI-J-Y-N-M12FS - 1405619

Accessories

Sensor/actuator cable - SAC-4P-MS/15,0-186/FS SCO - 1555745



Sensor/actuator cable, 4-position, PUR, black-gray RAL 7021, Plug straight M12 SPEEDCON, coding: A, on Socket straight M12 SPEEDCON, coding: A, cable length: 15 m

Phoenix Contact 2021 © - all rights reserved
<http://www.phoenixcontact.com>

PHOENIX CONTACT GmbH & Co. KG
Flachsmarktstr. 8
32825 Blomberg
Germany
Tel. +49 5235 300
Fax +49 5235 3 41200
<http://www.phoenixcontact.com>