

## Distributor - SAC-ASI-J-Y-Y-N - 1405622


Please be informed that the data shown in this PDF Document is generated from our Online Catalog. Please find the complete data in the user's documentation. Our General Terms of Use for Downloads are valid (<http://phoenixcontact.com/download>)



AS-Interface H-distributor with a high degree of protection, parallel wired, for the distribution of AS-Interface flat-ribbon conductors



### Key Commercial Data

Packing unit	1 pc
GTIN	 4 0 4 6 3 5 6 7 5 4 9 3 4
GTIN	4046356754934

### Technical data

#### Ambient conditions

Degree of protection	IP65
	IP67
	IP69K
Ambient temperature (operation)	-25 °C ... 75 °C
Ambient temperature (storage/transport)	-25 °C ... 85 °C

#### General data

Rated current at 40°C	8 A
Rated voltage	≤ 32 V DC
Number of positions	4
Overvoltage category	III
Degree of pollution	3
Alternative short product description	H distributor
Connection method	AS-i penetration technique

#### Characteristics head 1

Head type	Load center AS-i Screw locking
No. of positions (pin connector pattern)	4

# Distributor - SAC-ASI-J-Y-Y-N - 1405622

## Technical data

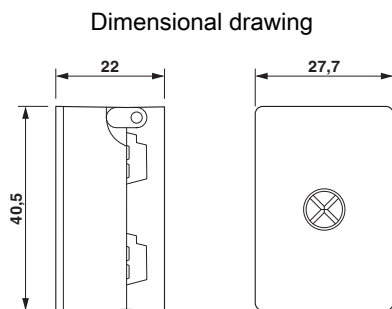
### Characteristics head 1

Material (component)	CuSn (Contact)
	Ni/Au (Contact surface)
	PBT (Contact carriers)
	PBT (Housing)
	Stainless steel (Screw connection)
Torque	1.65 Nm (Locking screw)

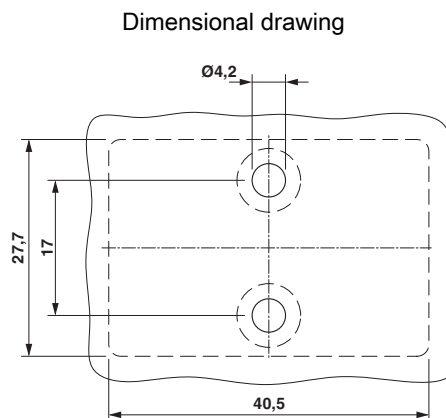
### Environmental Product Compliance

China RoHS	Environmentally friendly use period: unlimited = EFUP-e
	No hazardous substances above threshold values

## Drawings



Distributor, AS-Interface



Distance and position of the mounting holes

### Circuit diagram



Contact assignment of the AS-Interface distributor

## Classifications

eCl@ss

eCl@ss 10.0.1	27440106
eCl@ss 11.0	27440106

## Distributor - SAC-ASI-J-Y-Y-N - 1405622

### Classifications

#### eCl@ss

eCl@ss 4.0	27060700
eCl@ss 4.1	27060700
eCl@ss 5.0	27400200
eCl@ss 5.1	27250300
eCl@ss 6.0	27279200
eCl@ss 7.0	27440104
eCl@ss 9.0	27440106

#### ETIM

ETIM 3.0	EC000516
ETIM 4.0	EC002585
ETIM 6.0	EC002925
ETIM 7.0	EC002925

#### UNSPSC

UNSPSC 6.01	31261501
UNSPSC 7.0901	31261501
UNSPSC 11	31261501
UNSPSC 12.01	31261501
UNSPSC 13.2	31251501
UNSPSC 19.0	31251501
UNSPSC 20.0	31251501
UNSPSC 21.0	31251501

### Accessories

#### Accessories

##### Data cable by the meter

Flat-ribbon conductor - VS-ASI-FC-EPDM-YE 100M - 1432402



AS-Interface EPDM flat conductor in yellow, 2 x 1.5 mm<sup>2</sup>, 100 m ring

Flat-ribbon conductor - VS-ASI-FC-EPDM-BK 100M - 1432415



AS-Interface EPDM flat conductor in black, for additional power supply, 2 x 1.5 mm<sup>2</sup>, 100 m ring

## Distributor - SAC-ASI-J-Y-Y-N - 1405622

### Accessories

---

Flat-ribbon conductor - VS-ASI-FC-PVC-UL-YE 100M - 1404906



AS-Interface PVC flat conductor with UL in yellow, 2 x 1.5 mm<sup>2</sup>, 100 m ring

---

Flat-ribbon conductor - VS-ASI-FC-PVC-UL-BK 100M - 1404919



AS-Interface PVC flat conductor with UL in black, for additional power supply, 2 x 1.5 mm<sup>2</sup>, 100 m ring

---

Flat-ribbon conductor - VS-ASI-FC-TPE-UL-YE 100M - 1404922



AS-Interface TPE flat conductor with UL in yellow, 2 x 1.5 mm<sup>2</sup>, 100 m ring

---

Flat-ribbon conductor - VS-ASI-FC-TPE-UL-BK 100M - 1404935



AS-Interface TPE flat conductor with UL in black, for additional power supply, 2 x 1.5 mm<sup>2</sup>, 100 m ring

---

Flat-ribbon conductor - VS-ASI-FC-PUR-YE 100M - 1404883



AS-Interface PUR flat conductor in yellow, 2 x 1.5 mm<sup>2</sup>, 100 m ring

---

## Distributor - SAC-ASI-J-Y-Y-N - 1405622

### Accessories

Flat-ribbon conductor - VS-ASI-FC-PUR-BK 100M - 1404896



AS-Interface PUR flat conductor in black, for additional power supply, 2 x 1.5 mm<sup>2</sup>, 100 m ring

---

### Screwdriver tools

Screwdriver - SZK PH2 VDE - 1205163



Screwdriver, PH crosshead, VDE insulated, size: PH 2 x 100 mm, 2-component grip, with non-slip grip

---

Phoenix Contact 2021 © - all rights reserved  
<http://www.phoenixcontact.com>

PHOENIX CONTACT GmbH & Co. KG  
Flachsmarktstr. 8  
32825 Blomberg  
Germany  
Tel. +49 5235 300  
Fax +49 5235 3 41200  
<http://www.phoenixcontact.com>