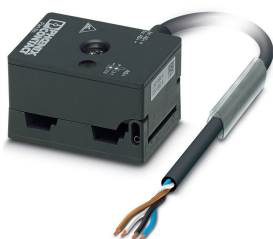


Distributor - SAC-ASI-J-Y-N-PUR-2,0-OE - 1407580


Please be informed that the data shown in this PDF Document is generated from our Online Catalog. Please find the complete data in the user's documentation. Our General Terms of Use for Downloads are valid (<http://phoenixcontact.com/download>)



AS-Interface distributor with a high degree of protection, for a branch from one flat-ribbon conductor to a 2.0 m PUR round cable with free cable end



Key Commercial Data

Packing unit	1 pc
GTIN	 4 046356 780001
GTIN	4046356780001

Technical data

Dimensions

Length of cable	2 m
-----------------	-----

Ambient conditions

Degree of protection	IP65
	IP67
Ambient temperature (operation)	-25 °C ... 75 °C
	-25 °C ... 80 °C (Cable, flexible installation)
	-40 °C ... 80 °C (cable, fixed installation)
Ambient temperature (storage/transport)	-25 °C ... 85 °C

General data

Rated current at 40°C	4 A
Rated voltage	≤ 32 V DC
Number of positions	2
Overvoltage category	III
Degree of pollution	3
Connection method	AS-i penetration technique

Characteristics head 1

Distributor - SAC-ASI-J-Y-N-PUR-2,0-OE - 1407580

Technical data

Characteristics head 1

Head type	Load center lateral AS-i Screw locking
No. of positions (pin connector pattern)	2
Material (component)	CuSn (Contact)
	Ni/Au (Contact surface)
	PBT (Contact carriers)
	PBT (Housing)
	Stainless steel (Screw connection)
Torque	1.65 Nm (Locking screw)

Characteristics head 2

Head type	free cable end
-----------	----------------

Cable

Cable type	PUR halogen-free black
Cable type (abbreviation)	PUR
UL AWM style	20549 / 10493
Conductor cross section	4x 0.34 mm ² (Signal line)
AWG signal line	22
Conductor structure signal line	42x 0.10 mm
Core diameter including insulation	1.25 mm ±0.05 mm
Wire colors	brown, white, blue, black
Overall twist	4 wires, twisted
External sheath, color	black
External cable diameter D	4.3 mm ±0.2 mm
Outer sheath, material	PUR
Material conductor insulation	PP
Conductor material	Bare Cu litz wires
Ambient temperature (operation)	-40 °C ... 80 °C (fixed routing)
	-25 °C ... 80 °C (Flexibly installed)
Ambient temperature (storage/transport)	-40 °C ... 85 °C
Shielded	no

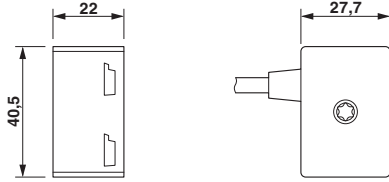
Environmental Product Compliance

REACH SVHC	DOTe 15571-58-1
	Lead 7439-92-1
China RoHS	Environmentally Friendly Use Period = 50 years
	For details about hazardous substances go to tab "Downloads", Category "Manufacturer's declaration"

Drawings

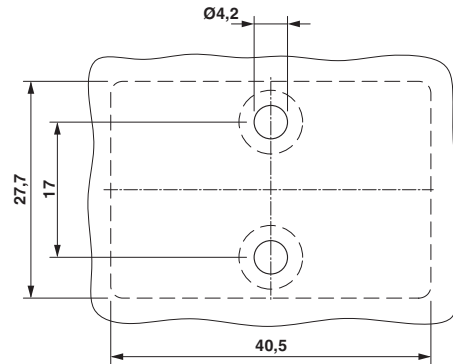
Distributor - SAC-ASI-J-Y-N-PUR-2,0-OE - 1407580

Dimensional drawing



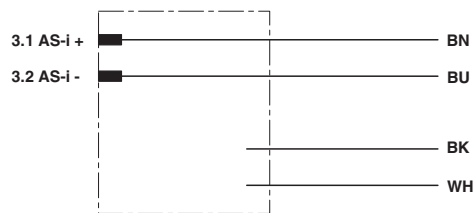
Distributor, AS-Interface

Dimensional drawing



Distance and position of the mounting holes

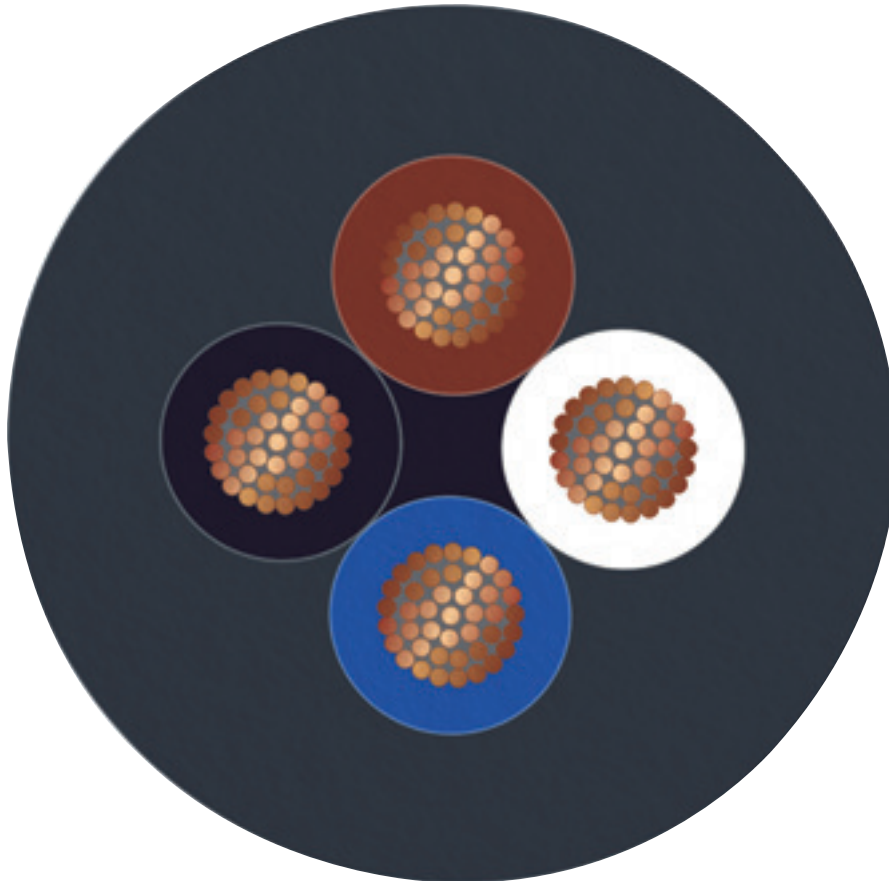
Circuit diagram



Contact assignment of the AS-Interface distributor

Distributor - SAC-ASI-J-Y-N-PUR-2,0-OE - 1407580

Cable cross section



PUR halogen-free black [PUR]

Classifications

eCl@ss

eCl@ss 10.0.1	27440106
eCl@ss 11.0	27440106
eCl@ss 4.0	27060300
eCl@ss 4.1	27060300
eCl@ss 5.0	27061800
eCl@ss 5.1	27061800
eCl@ss 6.0	27279200
eCl@ss 7.0	27279218
eCl@ss 9.0	27440106

ETIM

ETIM 3.0	EC000516
----------	----------

Distributor - SAC-ASI-J-Y-N-PUR-2,0-OE - 1407580

Classifications

ETIM

ETIM 4.0	EC001855
ETIM 6.0	EC002925
ETIM 7.0	EC002925

UNSPSC

UNSPSC 6.01	31261501
UNSPSC 7.0901	31261501
UNSPSC 11	31261501
UNSPSC 12.01	31261501
UNSPSC 13.2	31251501
UNSPSC 19.0	31251501
UNSPSC 20.0	31251501
UNSPSC 21.0	31251501

Accessories

Accessories

Circular connector (cable-side)

Connector - SACC-FS-4QO-0,34-M SCO - 1521588



Connector, Universal, 4-position, Socket straight M12 SPEEDCON, Coding: A, Insulation displacement connection, knurl material: Zinc die-cast, nickel-plated, external cable diameter 3.5 mm ... 6 mm

Connector - SACC-M12FS-4QO-0,34 - 1641701



Connector, Universal, 4-position, Socket straight M12, Coding: A, Insulation displacement connection, knurl material: Plastic, external cable diameter 3.5 mm ... 6 mm

Connector - SACC-M12FS-4QO-0,34-VA - 1440766



Connector, Universal, 4-position, Socket straight M12, Coding: A, Insulation displacement connection, knurl material: Stainless steel 1.4404, external cable diameter 3.5 mm ... 6 mm

Electronics pliers

Distributor - SAC-ASI-J-Y-N-PUR-2,0-OE - 1407580

Accessories

Diagonal cutter - MICROFOX-SB - 1212489



Electronic diagonal cutter, round head, without chamfer, with opening spring, mirror-polished and oiled, 2-component grip, cutting capacity: soft 0.2 - 2.0 mm; medium hard 1.2 mm; hard 0.5 mm diameter

Screwdriver tools

Screwdriver - SZK PH2 VDE - 1205163



Screwdriver, PH crosshead, VDE insulated, size: PH 2 x 100 mm, 2-component grip, with non-slip grip

Stripping tool

Stripping tool - WIREFOX-D 11 - 1212160



Stripping tool, for stripping multicore signal, control and fiberglass wires of Ø 2.5 - 11 mm. Insulation thickness up to 1 mm

Phoenix Contact 2021 © - all rights reserved
<http://www.phoenixcontact.com>

PHOENIX CONTACT GmbH & Co. KG
Flachsmarktstr. 8
32825 Blomberg
Germany
Tel. +49 5235 300
Fax +49 5235 3 41200
<http://www.phoenixcontact.com>