

# Isolation amplifier - MACX MCR-SL-NAM-R - 2865997

Please be informed that the data shown in this PDF Document is generated from our Online Catalog. Please find the complete data in the user's documentation. Our General Terms of Use for Downloads are valid (<http://phoenixcontact.com/download>)




NAMUR signal conditioners for operating proximity sensors and switches. The signals are transmitted to the control level via relay output (changeover contact). Line fault detection (LFD), 3-way electrical isolation, SIL 2, with screw connection.

## Your advantages

- ✓ Power supply and error indication possible via DIN rail connector
- ✓ Installation in zone 2, protection type "n" (EN 60079-15) permitted
- ✓ Up to SIL 2 according to EN 61508
- ✓ Line fault detection (LFD), can be activated/deactivated, error indicated by flashing red LED with de-excitation of output relay
- ✓ LED indicators for supply voltage, switching state, and malfunction according to NAMUR NE 44
- ✓ 3-way electrical isolation
- ✓ Input for NAMUR proximity sensors (EN 60947-5-6), floating contacts or contacts with resistance circuit
- ✓ Signal output relay (changeover contact)
- ✓ Direction of operation can be selected (operating or closed circuit current behavior)



## Key Commercial Data

Packing unit	1 pc
GTIN	 4 046356 466981
GTIN	4046356466981

## Technical data

### Note

Utilization restriction	EMC: class A product, see manufacturer's declaration in the download area
-------------------------	---

### Dimensions

Width	12.5 mm
Height	112.5 mm
Depth	113.7 mm

# Isolation amplifier - MACX MCR-SL-NAM-R - 2865997

## Technical data

### Dimensions

	114.5 mm (Snapped onto DIN rail NS 35/7,5 in accordance with EN 60715)
--	--

### Ambient conditions

Ambient temperature (operation)	-40 °C ... 60 °C (Any mounting position)
Ambient temperature (storage/transport)	-40 °C ... 85 °C
Permissible humidity (operation)	10 % ... 95 % (non-condensing)
Permissible humidity (storage/transport)	5 % ... 95 % (non-condensing)
Degree of protection	IP20 (not assessed by UL)
Noise immunity	EN 61000-6-2 EN 61326
Altitude	≤ 2000 m (For use at altitudes ≥2000 m above sea level, see data sheet.)
Ambient temperature (operation)	-40 °C ... 60 °C
Rated insulation voltage	320 V (Power supply, input / output)
Altitude	≤ 3000 m
Ambient temperature (operation)	-40 °C ... 54 °C
Rated insulation voltage	190 V (Power supply, input / output)
Altitude	≤ 4000 m
Ambient temperature (operation)	-40 °C ... 48 °C
Rated insulation voltage	63 V (Power supply, input / output)
Altitude	≤ 5000 m
Ambient temperature (operation)	-40 °C ... 42 °C
Rated insulation voltage	63 V (Power supply, input / output)

### Input data

Non-load voltage	~ 8 V DC
Switching points (attenuated)	< 1.2 mA (blocking)
Switching points (unattenuated)	> 2.1 mA (conductive)
Available input sources	NAMUR proximity sensors (IEC/EN 60947-5-6)
Short-circuit current	~ 8 mA
Switching hysteresis	< 0.2 mA
Line fault detection	Break 0.05 mA < IIN < 0.35 mA
	Short circuit 100 Ω < RSensor < 360 Ω

### Output data

Switching output	Relay output
Contact type	1 changeover contact
Contact material	AgSnO <sub>2</sub> , hard gold-plated
Maximum switching voltage	250 V AC (2 A)
	120 V DC (0.2 A)
	30 V DC (2 A)
Maximum switching capacity	500 VA
Mechanical service life	10 <sup>7</sup> cycles

# Isolation amplifier - MACX MCR-SL-NAM-R - 2865997

## Technical data

### Output data

Output description	Relay output
Switching frequency	≤ 20 Hz (without load)

### Power supply

Nominal supply voltage	24 V DC
Supply voltage range	19.2 V DC ... 30 V DC (24 V DC -20%...+25%)
Max. current consumption	21 mA (24 V DC)
Power dissipation	< 650 mW
Power consumption	< 650 mW

### Connection data

Connection method	Screw connection
Stripping length	7 mm
Screw thread	M3
Conductor cross section solid	0.2 mm <sup>2</sup> ... 2.5 mm <sup>2</sup>
Conductor cross section flexible	0.2 mm <sup>2</sup> ... 2.5 mm <sup>2</sup>
Conductor cross section AWG	24 ... 14
Torque	0.5 Nm ... 0.6 Nm

### General

No. of channels	1
Status display	Green LED (supply voltage) LED yellow (switching state) Red LED (line errors)
Electromagnetic compatibility	Conformance with EMC directive
Interference emission	EN 61000-6-4
Housing material	PA 6.6-FR
Color	gray
Designation	Input/output
Electrical isolation	375 V (Peak value in accordance with IEC/EN 60079-11)
Overvoltage category	II
Degree of pollution	2
Altitude	≤ 2000 m
Designation	Input/output/supply, DIN rail connector
Rated insulation voltage	300 V <sub>rms</sub>
Test voltage	2.5 kV AC (50 Hz, 1 min.)
Overvoltage category	II
Degree of pollution	2
Insulation	Safe isolation in accordance with IEC/EN 61010-1
Altitude	≤ 2000 m
Designation	Output/input, supply, TBUS
Rated insulation voltage	300 V <sub>rms</sub>

# Isolation amplifier - MACX MCR-SL-NAM-R - 2865997

## Technical data

### General

Test voltage	2.5 kV AC (50 Hz, 1 min.)
Overvoltage category	III
Degree of pollution	2
Insulation	Safe isolation in accordance with IEC/EN 61010-1
Altitude	≤ 2000 m
Designation	Input/supply, DIN rail connector
Electrical isolation	375 V (Peak value in accordance with IEC/EN 60079-11)
Overvoltage category	II
Degree of pollution	2
Altitude	≤ 2000 m

### Safety characteristic data

Integrity requirement	IEC 61508 - Low demand
Designation	Non-inverted operation
Equipment type	Type A
Safety Integrity Level (SIL)	2
Safe Failure Fraction (SFF)	78 %
$\lambda_{SU}$	$2.49 \times 10^{-7}$ (249 FIT)
$\lambda_{SD}$	$6 \times 10^{-9}$ (6 FIT)
$\lambda_{DU}$	$6.4 \times 10^{-8}$ (64 FIT)
$\lambda_{DD}$	$7 \times 10^{-9}$ (7 FIT)
Probability of a hazardous failure on demand (PFD <sub>AVG</sub> )	$3.09 \times 10^{-4}$ (1 year)
	$6.17 \times 10^{-4}$ (2 years)
	$1.54 \times 10^{-3}$ (5 years)
Diagnostic coverage (DC)	DC <sub>S</sub> = 2.4 %, DC <sub>D</sub> = 9 %
Integrity requirement	IEC 61508 - Low demand
Designation	Inverted operation
Equipment type	Type A
Safety Integrity Level (SIL)	2
Safe Failure Fraction (SFF)	78 %
$\lambda_{SU}$	$2.48 \times 10^{-7}$ (248 FIT)
$\lambda_{SD}$	$1 \times 10^{-9}$ (1 FIT)
$\lambda_{DU}$	$6.2 \times 10^{-8}$ (62 FIT)
$\lambda_{DD}$	$6 \times 10^{-9}$ (6 FIT)
Probability of a hazardous failure on demand (PFD <sub>AVG</sub> )	$3.01 \times 10^{-4}$ (1 year)
	$6.02 \times 10^{-4}$ (2 years)
	$1.5 \times 10^{-3}$ (5 years)
Diagnostic coverage (DC)	DC <sub>S</sub> = 0.4 %, DC <sub>D</sub> = 8 %
Safety Integrity Level (SIL)	2

# Isolation amplifier - MACX MCR-SL-NAM-R - 2865997

## Technical data

### Standards and Regulations

Electromagnetic compatibility	Conformance with EMC directive
Noise emission	EN 61000-6-4
Designation	GB Standard
Standards/regulations	GB 3836.1
	GB 3836.8
Electrical isolation	3-way isolation

### Conformance/approvals

Designation	CE
Certificate	CE-compliant
Additional text	and EN 61326-1
Designation	ATEX
Identification	# II 3 G Ex ec nC IIC T4 Gc
Certificate	IBExU 07 ATEX 1069 X
Designation	IECEX
Identification	Ex ec nC IIC T4 Gc
Certificate	IBE 08.0001 X
Designation	CCC / China-Ex
Identification	Ex nA nC IIC T4 Gc
Designation	UL, USA / Canada
Identification	UL 508 Listed
	UL 61010 Listed
	Class I, Div. 2, Groups A, B, C, D T4
	Class I, Zone 2, Groups IIC, IIB, IIA T4
Designation	UL, USA / Canada
Identification	UL 508 Listed
	UL 61010 Listed
	Class I, Div. 2, Groups A, B, C, D T4
	Class I, Zone 2, Group IIC T4
Designation	Shipbuilding approval
Certificate	DNV GL TAA00000AG
Designation	Safety Integrity Level (SIL, IEC 61508)
Identification	2
Temperature	B
Humidity	B
Vibration	A
EMC	B
Enclosure	Required protection according to the Rules shall be provided upon installation on board

### Environmental Product Compliance

REACH SVHC	Lead 7439-92-1
------------	----------------

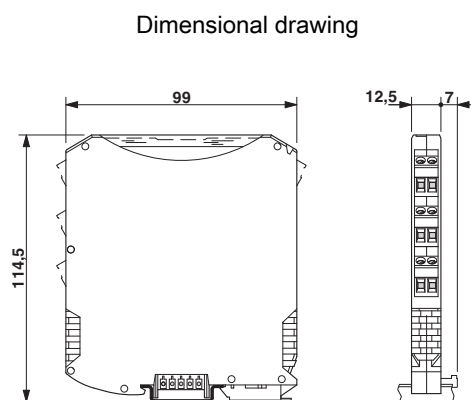
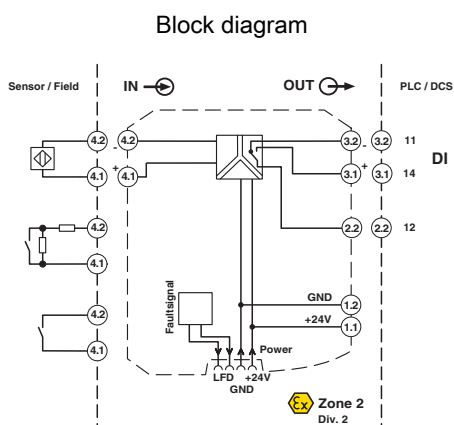
# Isolation amplifier - MACX MCR-SL-NAM-R - 2865997

## Technical data

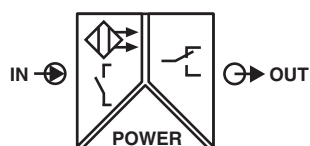
### Environmental Product Compliance

China RoHS	Environmentally Friendly Use Period = 50 years
	For details about hazardous substances go to tab "Downloads", Category "Manufacturer's declaration"

## Drawings



### Pictogram



## Classifications

### eCl@ss

eCl@ss 10.0.1	27210121
eCl@ss 11.0	27210121
eCl@ss 4.0	27210100
eCl@ss 4.1	27210100
eCl@ss 5.0	27210100
eCl@ss 5.1	27210100
eCl@ss 6.0	27210100

# Isolation amplifier - MACX MCR-SL-NAM-R - 2865997

## Classifications

### eCl@ss

eCl@ss 7.0	27210121
eCl@ss 9.0	27210121

### ETIM

ETIM 2.0	EC001485
ETIM 3.0	EC001485
ETIM 4.0	EC001485
ETIM 6.0	EC001485
ETIM 7.0	EC001485

### UNSPSC

UNSPSC 6.01	30211506
UNSPSC 7.0901	39121008
UNSPSC 11	39121008
UNSPSC 12.01	39121008
UNSPSC 13.2	39121008
UNSPSC 18.0	39121008
UNSPSC 19.0	39121008
UNSPSC 20.0	39121008
UNSPSC 21.0	39121008

## Approvals

### Approvals

#### Approvals


DNV GL / UL Listed / cUL Listed / Functional Safety / CCC / cULus Listed

#### Ex Approvals

ATEX / UL Listed / cUL Listed / EAC Ex / ATEX / ATEX / IECEx / cULus Listed

### Approval details

DNV GL		<a href="https://approvalfinder.dnvgl.com/">https://approvalfinder.dnvgl.com/</a>	TAA00000AG
--------	---	---	------------

UL Listed		<a href="http://database.ul.com/cgi-bin/XYV/template/LISEXT/1FRAME/index.htm">http://database.ul.com/cgi-bin/XYV/template/LISEXT/1FRAME/index.htm</a>	FILE E 330267
-----------	---	---	---------------

# Isolation amplifier - MACX MCR-SL-NAM-R - 2865997

## Approvals

cUL Listed		<a href="http://database.ul.com/cgi-bin/XYV/template/LISEXT/1FRAME/index.htm">http://database.ul.com/cgi-bin/XYV/template/LISEXT/1FRAME/index.htm</a>	FILE E 330267
------------	--	---	---------------

Functional Safety			07-06-39 R005 V2R2
-------------------	--	--	--------------------

CCC			2021122304114179
-----	--	--	------------------

cULus Listed			
--------------	--	--	--

## Accessories

### Accessories

#### Component terminal block

Component terminal block - UKK 5-2R/NAMUR - 2941662



Double-level terminal block, with preassembled resistors

### Device marking

Plastic label - UC-EMLP (11X9) - 0819291



Plastic label, Sheet, white, unlabeled, can be labeled with: BLUEMARK ID COLOR, BLUEMARK ID, BLUEMARK CLED, PLOTMARK, CMS-P1-PLOTTER, mounting type: adhesive, lettering field size: 11 x 9 mm, Number of individual labels: 10

Plastic label - UC-EMLP (11X9) YE - 0822602



Plastic label, Sheet, yellow, unlabeled, can be labeled with: BLUEMARK ID COLOR, BLUEMARK ID, BLUEMARK CLED, PLOTMARK, CMS-P1-PLOTTER, mounting type: adhesive, lettering field size: 11 x 9 mm, Number of individual labels: 10



## Isolation amplifier - MACX MCR-SL-NAM-R - 2865997

### Accessories

#### Plastic label - UC-EMLP (11X9) SR - 0828094



Plastic label, Sheet, silver, unlabeled, can be labeled with: BLUEMARK ID COLOR, BLUEMARK ID, BLUEMARK CLED, PLOTMARK, CMS-P1-PLOTTER, mounting type: adhesive, lettering field size: 11 x 9 mm, Number of individual labels: 10

---

#### Plastic label - US-EMLP (11X9) - 0828789



Plastic label, Card, white, unlabeled, can be labeled with: BLUEMARK ID COLOR, BLUEMARK ID, THERMOMARK PRIME, THERMOMARK CARD 2.0, THERMOMARK CARD, mounting type: adhesive, lettering field size: 11 x 9 mm, Number of individual labels: 135

---

#### Plastic label - US-EMLP (11X9) YE - 0828871



Plastic label, Card, yellow, unlabeled, can be labeled with: BLUEMARK ID COLOR, BLUEMARK ID, THERMOMARK PRIME, THERMOMARK CARD 2.0, THERMOMARK CARD, mounting type: adhesive, lettering field size: 11 x 9 mm, Number of individual labels: 135

---

#### Plastic label - US-EMLP (11X9) SR - 0828872



Plastic label, Card, silver, unlabeled, can be labeled with: BLUEMARK ID COLOR, BLUEMARK ID, THERMOMARK PRIME, THERMOMARK CARD 2.0, THERMOMARK CARD, mounting type: adhesive, lettering field size: 11 x 9 mm, Number of individual labels: 135

---

#### Device marker - LS-EMLP (11X9) WH - 0831678



Device marker, Sheet, white, unlabeled, can be labeled with: TOPMARK NEO, TOPMARK LASER, mounting type: adhesive, lettering field size: 11 x 9 mm, Number of individual labels: 255

## Isolation amplifier - MACX MCR-SL-NAM-R - 2865997

### Accessories

Device marker - LS-EMLP (11X9) SR - 0831705

Device marker, Sheet, silver, unlabeled, can be labeled with: TOPMARK NEO, TOPMARK LASER, mounting type: adhesive, lettering field size: 11 x 9 mm, Number of individual labels: 255



Device marker - LS-EMLP (11X9) YE - 0831732

Device marker, Sheet, yellow, unlabeled, can be labeled with: TOPMARK NEO, TOPMARK LASER, mounting type: adhesive, lettering field size: 11 x 9 mm, Number of individual labels: 255



### DIN rail connector

DIN rail bus connectors - ME 6,2 TBUS-2 1,5/5-ST-3,81 GY - 2695439



DIN rail connector (TBUS), 5-pos., for bridging the supply voltage, can be snapped onto NS 35/... DIN rails according to EN 60715

### End cover

End cover - D-UKK 3/5 - 2770024



End cover, length: 56 mm, width: 2.5 mm, height: 52 mm, color: gray

End cover - D-UKK 3/5 BU - 2770105



End cover, length: 56 mm, width: 2.5 mm, height: 62 mm, color: blue

### Insulating sleeve

## Isolation amplifier - MACX MCR-SL-NAM-R - 2865997

### Accessories

Insulating sleeve - MPS-IH WH - 0201663

Insulating sleeve, color: white



Insulating sleeve - MPS-IH RD - 0201676

Insulating sleeve, color: red



Insulating sleeve - MPS-IH BU - 0201689

Insulating sleeve, color: blue



Insulating sleeve - MPS-IH YE - 0201692

Insulating sleeve, color: yellow



Insulating sleeve - MPS-IH GN - 0201702

Insulating sleeve, color: green



## Isolation amplifier - MACX MCR-SL-NAM-R - 2865997

### Accessories

Insulating sleeve - MPS-IH GY - 0201728

Insulating sleeve, color: gray



Insulating sleeve - MPS-IH BK - 0201731

Insulating sleeve, color: black



### Labeled device marker

Plastic label - UC-EMLP (11X9) CUS - 0824547

Plastic label, can be ordered: by sheet, white, labeled according to customer specifications, mounting type: adhesive, lettering field size: 11 x 9 mm



Plastic label - UC-EMLP (11X9) YE CUS - 0824548

Plastic label, can be ordered: by sheet, yellow, labeled according to customer specifications, mounting type: adhesive, lettering field size: 11 x 9 mm



Plastic label - UC-EMLP (11X9) SR CUS - 0828098

Plastic label, can be ordered: by sheet, silver, labeled according to customer specifications, mounting type: adhesive, lettering field size: 11 x 9 mm, Number of individual labels: 10



### Module carrier

## Isolation amplifier - MACX MCR-SL-NAM-R - 2865997

### Accessories

Module carrier - TC-D37SUB-AIO16-EX-PS-UNI - 2902932



Universal termination carrier for connecting 16 MACX Analog Ex i signal conditioners to digital or analog I/O cards, via D-SUB connector, 37-pos. (1:1 connection), with HART multiplexer connection

---

Module carrier - TC-D37SUB-ADIO16-EX-P-UNI - 2924854



Universal termination carrier for connecting 16 MACX Analog Ex i signal conditioners to digital or analog I/O cards, via D-SUB connector, 37-pos. (1:1 connection)

---

### Power module

Power and error message module - MACX MCR-PTB - 2865625



Power and fault signaling module with screw connection, including corresponding ME 17,5 TBUS 1,5/ 5-ST-3,81 GY DIN rail connector

---

Power and error message module - MACX MCR-PTB-SP - 2924184



Power and fault signaling module with Push-in connection, including corresponding ME 17,5 TBUS 1,5/ 5-ST-3,81 GY DIN rail connector

---

### Power supply

Power supply unit - QUINT4-SYS-PS/1AC/24DC/2.5/SC - 2904614



Primary-switched power supply unit, QUINT POWER, Screw connection, DIN rail mounting, input: 1-phase, output: 24 V DC / 2.5 A

---

### Test plug terminal block

## Isolation amplifier - MACX MCR-SL-NAM-R - 2865997

### Accessories

Test plugs - MPS-MT - 0201744



Test plugs, with solder connection up to 1 mm<sup>2</sup> conductor cross section, color: gray

---

Phoenix Contact 2021 © - all rights reserved  
<http://www.phoenixcontact.com>

PHOENIX CONTACT GmbH & Co. KG  
Flachsmarktstr. 8  
32825 Blomberg  
Germany  
Tel. +49 5235 300  
Fax +49 5235 3 41200  
<http://www.phoenixcontact.com>