

Mini / Multicolour

**MC55 RGY Buzzer M12-plug 24VDC**

Part No.: 240.240.55

**MECHANICAL DATA**

Height	71 mm
Diameter	55 mm
Materials	PC PC/ABS
Dome colour	Clear
Housing colour	Black
Protection category	IP65
Connection	M12 plug 5-pole
Cable length	100 mm
Tension relief	Pull-out protection
Type of fixing	Built-in mounting
Working temperature minimum	-20°C
Working temperature maximum	+50°C
Weight with packaging	71 g
Product weight	71 g

**ELECTRICAL DATA**

Operating voltage	24V
Operating voltage type	DC
Operating voltage tolerance	+/- 10%
Rated operational voltage	24 VDC
Rated operational current	45 mA
Rated inrush current	<150mA
Protection class	Protection class 2
Pollution degree	3 In the connection area: 2

**OPTICAL DATA**

Light source	LED
Light colour	MC 3 colours
Optical signal image	Permanent
Service life optical	50,000 h maximum

**ACUSTICAL DATA**

Volume (max) at 1m distance	85,0 dB (A)
Acoustic signal image	Pulse tone
Number of tones	1 tone
Audio frequency	3400 Hz
Acoustic service life	5,000 h minimum

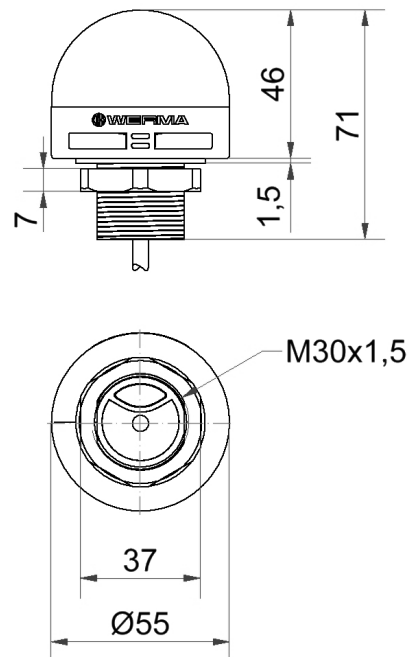


For additional installation and mounting information, refer to the appropriate user guide at [www.werma.com](http://www.werma.com). This printed copy is for information only and is subject to alteration.

Mini / Multicolour

**MC55 RGY Buzzer M12-plug 24VDC****APPROVAL DATA**

Conforms with CE	Yes
WEEE	Yes
Conform with ATEX-directive	No
Conforms with CCC	No
Conforms with UL	No
Conforms with FCC	No
Conforms with IC	No
EAC certificate available	Yes
Conforms with UKCA (Importer)	Yes (WERMA (UK) Ltd.)
Conforms with AS-I	No
ICAO Certification	No
Conforms with GL	No
Conforms with RoHS CN	10 years
Conforms with VdS	No

**DRAWING**

For additional installation and mounting information, refer to the appropriate user guide at [www.werma.com](http://www.werma.com). This printed copy is for information only and is subject to alteration.