

KombiSIGN 50 / Accessories

Bracket for base mount. BWM BK



Part No.: 960.000.14

MECHANICAL DATA	
Length	99 mm
Width	79 mm
Height	44 mm
Materials	PC/ABS
Housing colour	Black
Weight with packaging	80 g
Product weight	80 g

APPROVAL DATA	
WEEE	No
Conforms with RED directive	No
Conform with ATEX-directive	No
Conforms with CCC	No
Conforms with UL	No
Conforms with FCC	No
Conforms with IC	No
EAC certificate available	No
Conforms with AS-I	No
ICAO Certification	No
Conforms with GL	No
Conforms with RoHS CN	No

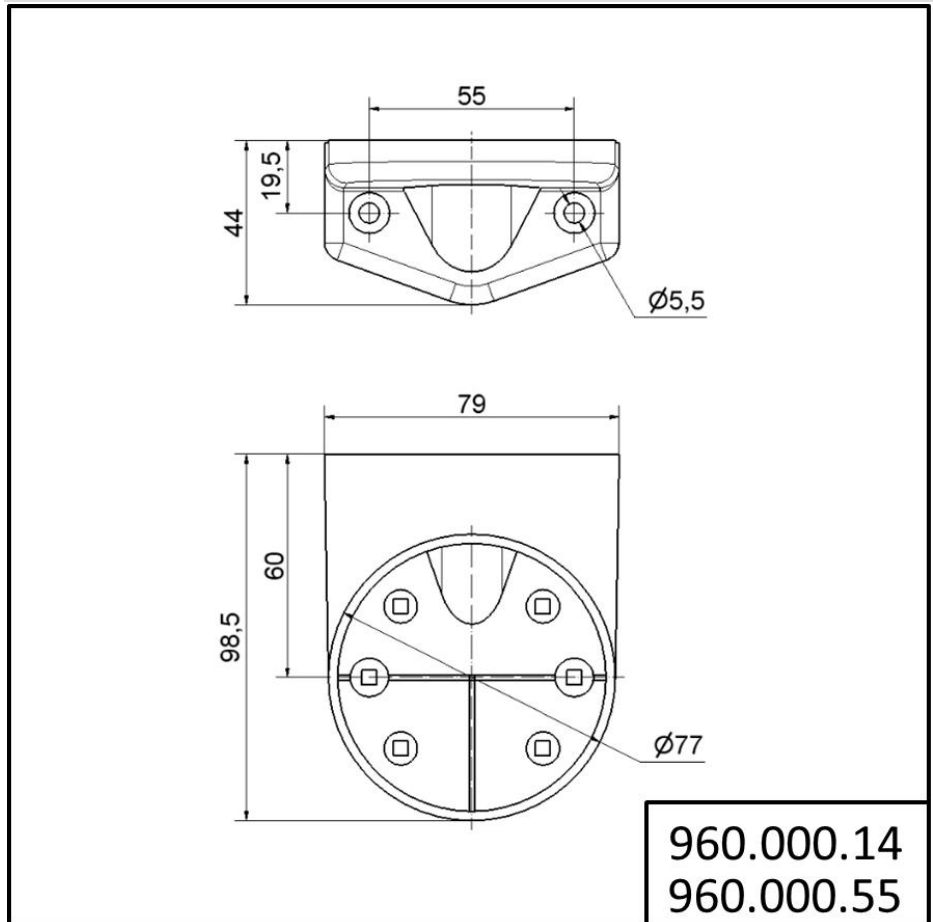


For additional installation and mounting information, refer to the appropriate user guide at www.werma.com. This printed copy is for information only and is subject to alteration.

KombiSIGN 50 / Accessories

Bracket for base mount. BWM BK

DRAWING



! For additional installation and mounting information, refer to the appropriate user guide at www.werma.com. This printed copy is for information only and is subject to alteration.